

HSF 禁止使用1级环境管理物质

To ensure the best usage, please operate it based on the working height.  
Based on the engineering drawings, shall not exceed the maximum allowed compression.

Approve Sign

Note:

Materials:

.Plunger: Brass 1u" Au over 50u" Ni

.Barrel: Brass 1u" Au over 50u" Ni

.Spring: SUS

Mechanical:

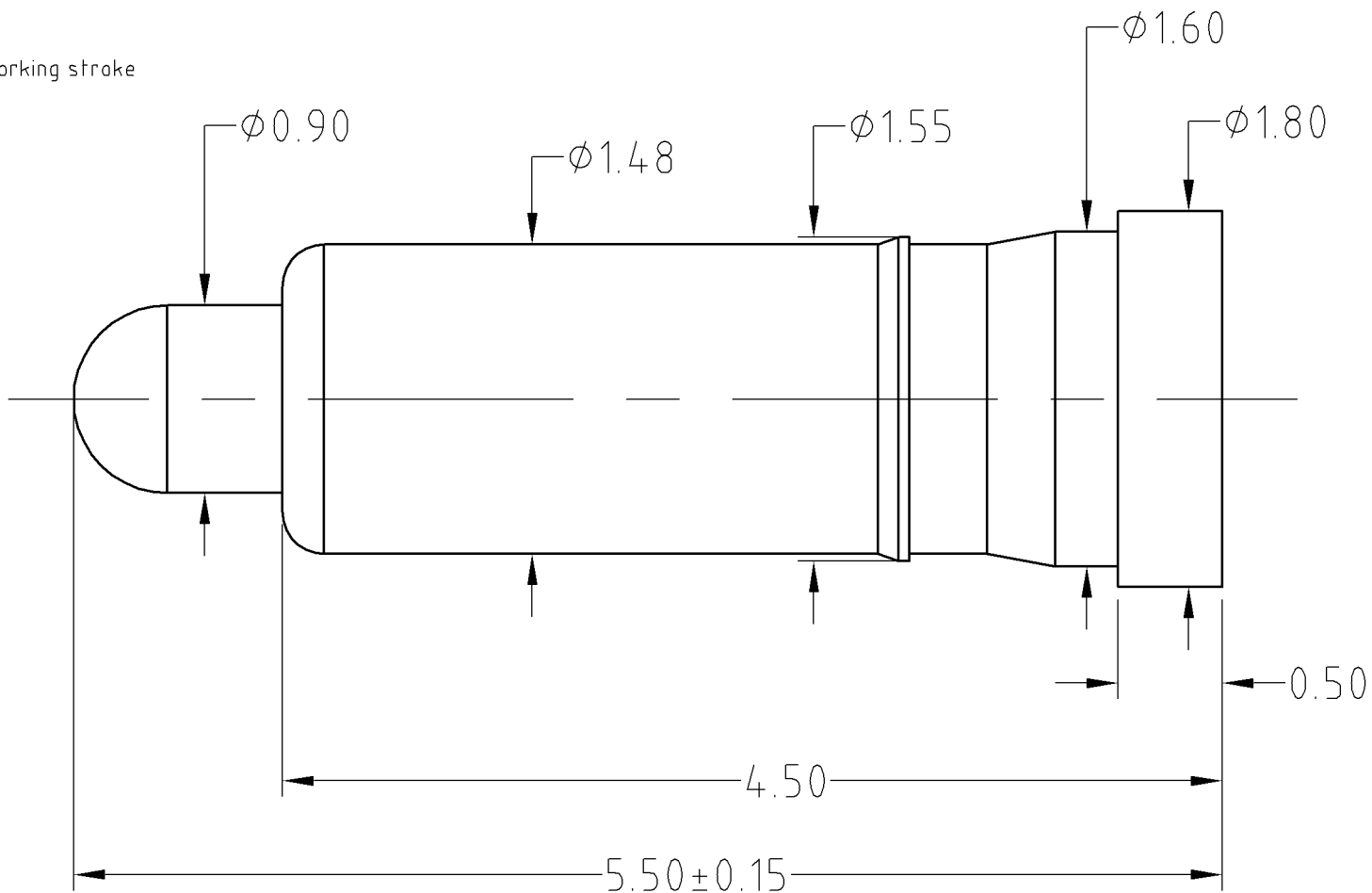
.Contact force: 120g±20% at 0.8mm working stroke

.Life test: 20,000 cycles

Electrical:

.Rated current & voltage: DC 12V; 1A

.Contact resistance: 50 milliohm Max.



SCALE	10:1	UNIT:mm	THIS DOCUMENT IS THE SOLE PROPERTY OF CFE CORPORATION CO.,LTD., AND SHOULD NOT BE USED IN WHOLE OR IN PART WITHOUT PRIOR WRITTEN PERMISSION.	
ANGEL	$\pm 1^\circ$	A4	SHEET: 1 of 1	
	$0.000 \pm 0.02$		PART NO. BF00811	
	$0.00 \pm 0.05$	DRAW	FILE NAME BF00811	
	$0.0 \pm 0.10$	CHECK	TITLE. Pogo pin connector	
GENERAL TOLERANCE UNLESS OTHERWISE NOTED		APPRO		

**CFE** 东莞市川富电子有限公司  
CFE CORPORATION CO.,LTD.

ECN(DCN) NO.	REV	DATE	DESCRIPTION	CHANGE	APPRO
	A0	2013.08.03	NEW		