

1

2

3

4

HSF 禁止使用1级环境管理物质

Approve Sign

Note:

Materials:

.Plating plunger: Brass 3u" Min. Au over 50u" Ni.

.Plating barrel: Brass 3u" Min. Au over 50u" Ni.

.Spring: SUS

Mechanical:

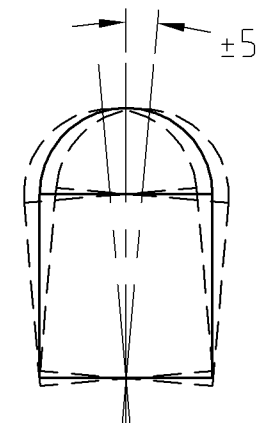
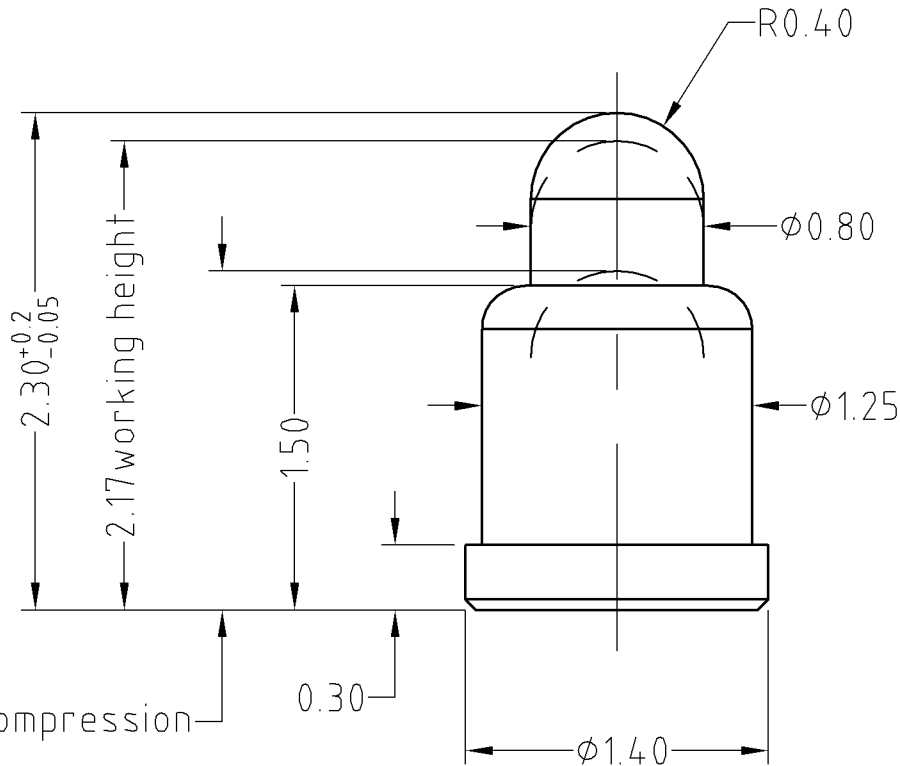
.Contact force: 30g Min. at working height

.Life test: 10,000 cycles

Electrical:

.Rated current & voltage: DC 12V; 1A

.Contact resistance: 100 milliohm Max.



SCALE	10:1	UNIT:mm	THIS DOCUMENT IS THE SOLE PROPERTY OF CFE CORPORATION CO.,LTD., AND SHOULD NOT BE USED IN WHOLE OR IN PART WITHOUT PRIOR WRITTEN PERMISSION.	
ANGEL	±1°	A4	SHEET: 1 of 1	
0.000	±0.02		PART NO.	BF08312
0.00	±0.05	DRAW	FILE NAME	BF08311
0.0	±0.10	CHECK	TITLE	Pogo pin connector
GENERAL TOLERANCE UNLESS OTHERWISE NOTED		APPRO		

CFE 东莞市川富电子有限公司
CFE CORPORATION CO.,LTD.

ECN(DCN) NO.	REV	DATE	DESCRIPTION	CHANGE	APPRO
	A0	2013.07.24	NEW		