

Note:

Materials:

.Plunger: Brass 20u" Au over Ni

.Barrel: Brass 20u" Au over Ni

.Spring: SUS

Mechanical:

.Contact force: 70g±30g at working height

.Life test: 50,000 cycles

Electrical:

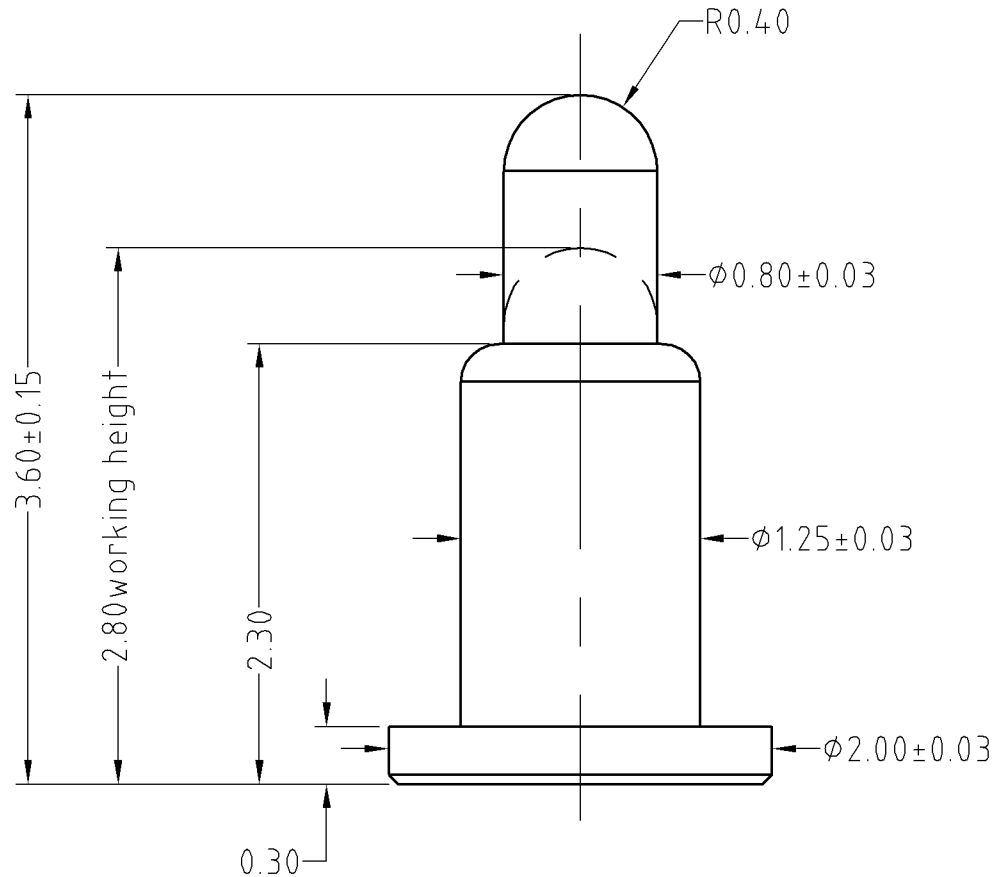
.Rated current & voltage: DC 12V; 1A

.Contact resistance: 50 milliohm Max.

To ensure the best usage, please operate it based on the working height.
Based on the engineering drawings, shall not exceed the maximum allowed compression.



Approve Sign



SCALE	10:1	UNIT:mm	THIS DOCUMENT IS THE SOLE PROPERTY OF CFE CORPORATION CO.,LTD., AND SHOULD NOT BE USED IN WHOLE OR IN PART WITHOUT PRIOR WRITTEN PERMISSION.	
ANGEL	±1°	A4	SHEET: 1 of 1	
0~6	±0.05		PART NO.	BF085XX
6~30	±0.10	DRAW	FILE NAME	BF08511
30~150	±0.15	CHECK	TITLE	Pogo pin connector
GENERAL TOLERANCE UNLESS OTHERWISE NOTED		APPRO		



_____	D0	2013.05.30	NEW
ECN(DCN) NO.	REV	DATE	DESCRIPTION