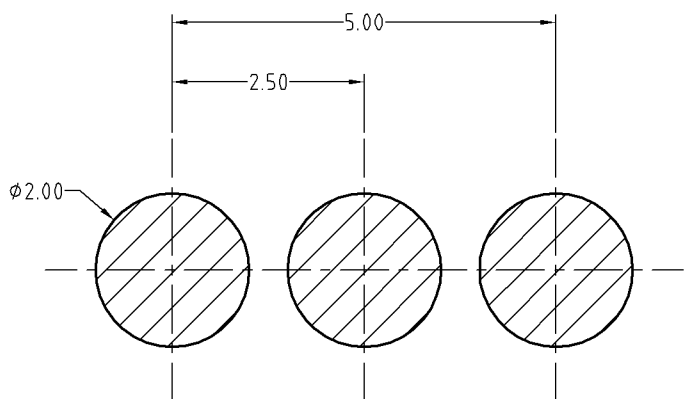
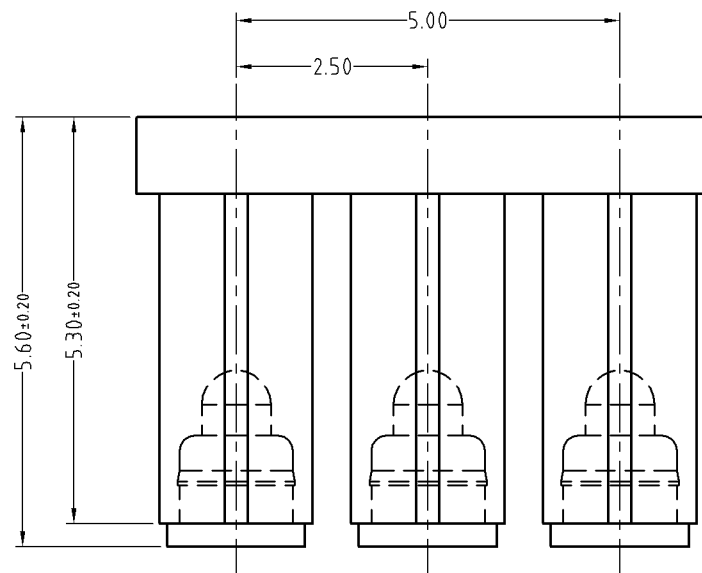
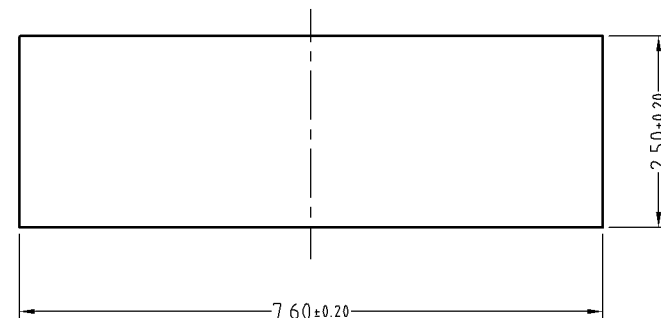
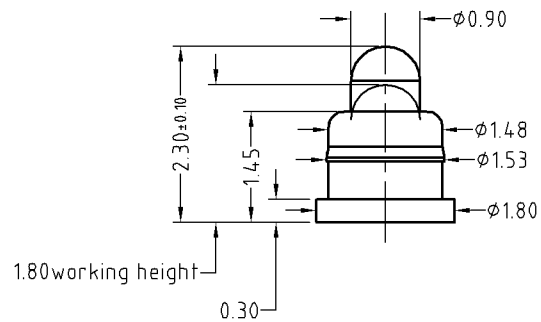


No.	Qty	Part	Spec
BF38511	3	Pogo pin	Brass C3604 0.075um Au over Ni
B385-H1000	1	Cap	Black high temperature plastics U194 V-0

To ensure the best usage, please operate it based on the working height.
Based on the engineering drawings, shall not exceed the maximum allowed compression.

Note:
1. Cannot be used as the charging,

Working height	1.8 mm
Spring force	120g+/-20%
Life test	50,000 cycles
Rated current	1.5 A
Rated voltage	12 V
Contact resistance	50 milliohm Max.



Recommended pcb layout
layout tolerance: ±0.05mm

ECN(DCN) NO.	REV	DATE	DESCRIPTION
	D1	2015.05.20	总长修改
	D0	2015.05.19	NEW

SCALE	10:1	UNIT:mm	THIS DOCUMENT IS THE SOLE PROPERTY OF CFE CORPORATION CO.,LTD., AND SHOULD NOT BE USED IN WHOLE OR IN PART WITHOUT PRIOR WRITTEN PERMISSION.	CFE 东莞市川富电子有限公司 CFE CORPORATION CO.,LTD.	
ANGEL	±1°	A4			
0~6	±0.05				SHEET: 1 of 1
6~30	±0.10	DRAW			PART NO.
30~150	±0.15	CHECK	FILE NAME	BF385XX	
GENERAL TOLERANCE UNLESS OTHERWISE NOTED	APPRO		TITLE.	Magnetic Connector	