

Note:

Materials:

- .Insulator: Black high temperature plastics UL94 V-0
- .Plunger: Brass Au over Ni.
- .Spring: SUS surface treatment
- .Barrel: Brass Au over Ni.

To ensure the best usage, please operate it based on the working height.  
Based on the engineering drawings, shall not exceed the maximum allowed compression.

A Mechanical:

- .Contact force: 30g±20g at 1.0mm working stroke
- .Full stroke: 1.4mm
- .Life test: 50,000 cycles

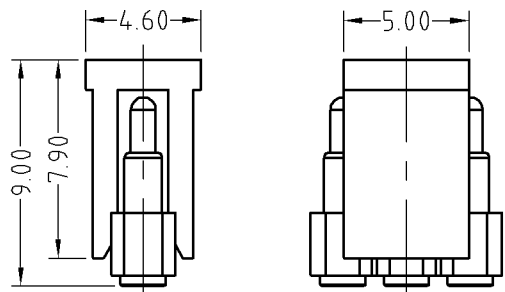
Electrical:

- .Rated current & voltage: DC12V 1A ;
- .Contact resistance: 30 milliohm Max.

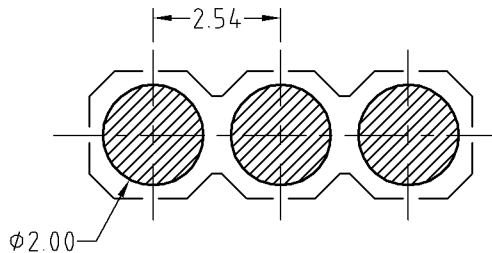
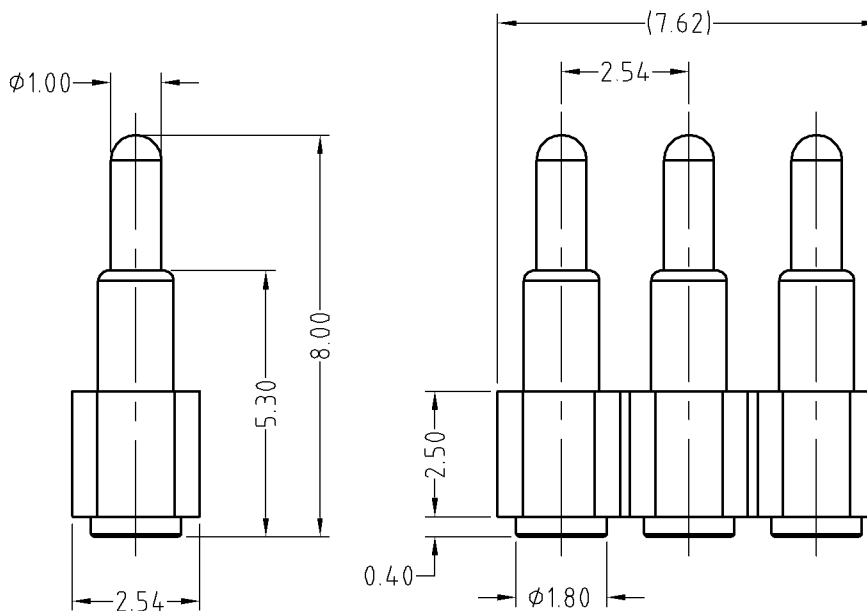
Standard tolerances are:

- .Diameters: +/-0.05mm
- .Lengths: +/-0.15mm
- .Angles: +/-2°

BOM		
Part	NO.	Qty
Pogo pin	BF44711	3
Housing	H254-05A01	1
Cap	H254-05N01	1



SCALE 1:2



Recommended pcb layout  
Layout tolerance: ±0.05mm

ECN(DCN) NO.	D0	2015.06.09	NEW
REV	DATE	DESCRIPTION	

SCALE	10:1	UNIT:mm	THIS DOCUMENT IS THE SOLE PROPERTY OF CFE CORPORATION CO.,LTD., AND SHOULD NOT BE USED IN WHOLE OR IN PART WITHOUT PRIOR WRITTEN PERMISSION.	<b>CFE</b> 东莞市川富电子有限公司 CFE CORPORATION CO.,LTD.	
ANGEL	±1°	A4			
0-6	±0.05		SHEET: 1 of 1	PART NO.	BF44711-A03113A
6-30	±0.10	DRAW		FILE NAME	BF447xx
30-150	±0.15	CHECK		TITLE	Pogo pin connector
GENERAL TOLERANCE UNLESS OTHERWISE NOTED		APPRO			