

Note:

Materials:

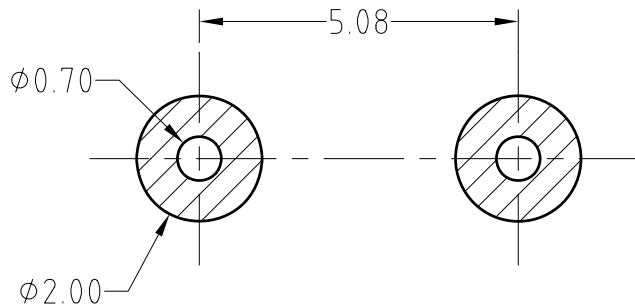
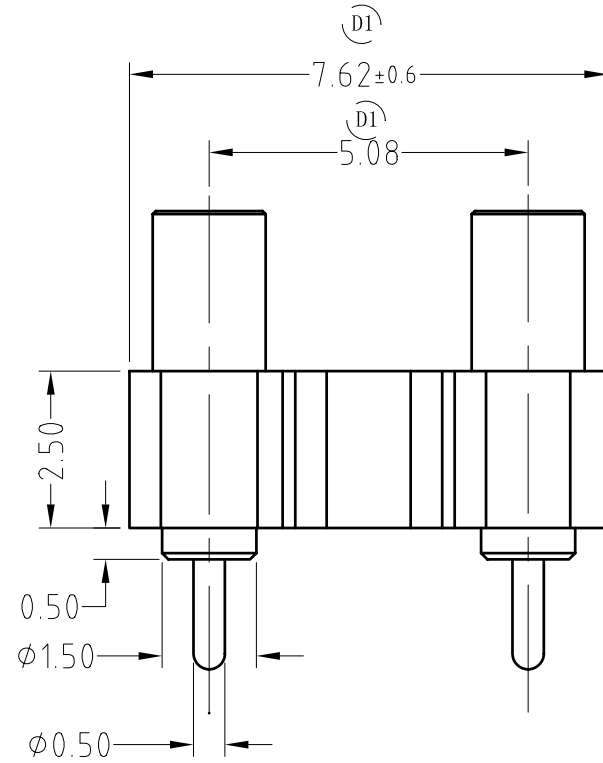
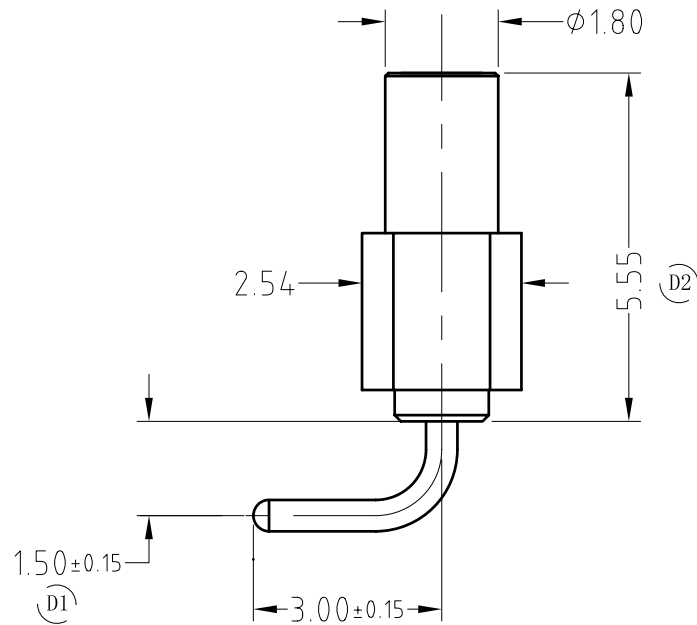
.Insulator: Black high temperature plastics UL94 V-0

.Plunger: Brass Au 0.25um over Ni.




Approve Sign

BOM		
Pogo pin	B843-W3010	2
Insulator	H254-03A01	1



Recommended pcb layout
Layout tolerance: ±0.05mm

ECN(DCN) NO.	REV	DATE	DESCRIPTION
	D2	2017.03.27	修改尺寸
	D1	2017.03.27	修改尺寸
	D0	2016.10.26	NEW

SCALE	10:1	UNIT:mm	THIS DOCUMENT IS THE SOLE PROPERTY OF CFE CORPORATION CO.,LTD., AND SHOULD NOT BE USED IN WHOLE OR IN PART WITHOUT PRIOR WRITTEN PERMISSION.	 CFE 东莞市川富电子有限公司 CFE CORPORATION CO.,LTD.	
ANGEL	±1°	A4			
0~6	±0.05		SHEET: 1 of 1	PART NO.	BP84331-02254A0C
6~30	±0.10	DRAW		FILE NAME	BP843XX
30~150	±0.15	CHECK		TITLE.	Pogo pin connector
GENERAL TOLERANCE UNLESS OTHERWISE NOTED		APPRO			