

**-Materials:**

- .Plunger: Brass Au over Ni
- .Barrel: Brass Au over Ni
- .Spring: SUS surface treatment

**-Mechanical:**

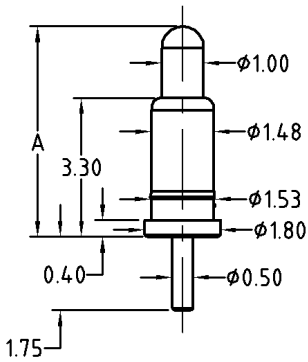
- .Full stroke: 1.40mm
- .Life test: 100,000 cycles

**-Electrical:**

- .Contact resistance: 50 milliohm Max.

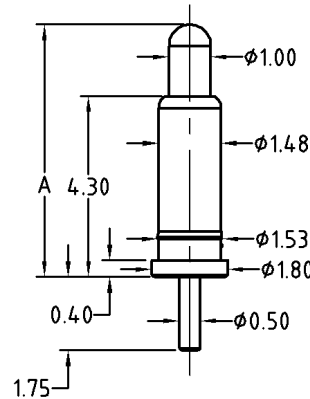
G-Barrel	G-Plunger
1-0.125um	1-0.125um
2-0.25um	2-0.25um
3-0.375um	3-0.375um
4-0.5um	4-0.5um
5-0.75um	5-0.75um
...	...

### MP110 - SS GG



Initial height -A	SS-code
4.5mm	11
5.0mm	21
working stroke	spring force
1.0mm	70g
Rated current	Rated voltage
1A Max.	12V

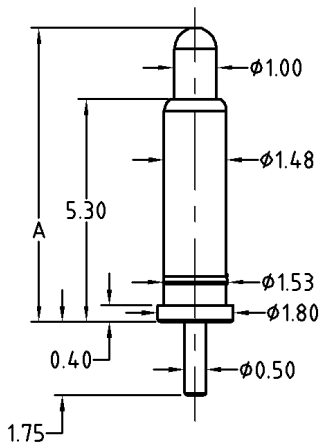
### MP210 - SS GG



Initial height -A	SS-code
5.5mm	11
6.0mm	21
working stroke	spring force
1.0mm	70g
Rated current	Rated voltage
3A Max.	12V

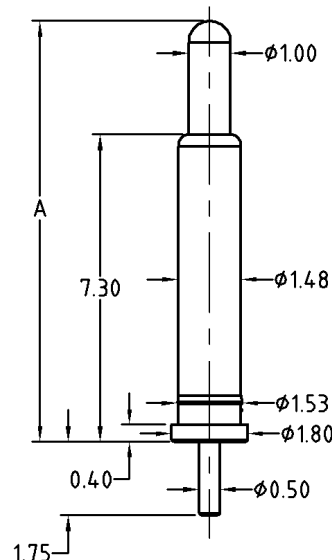
※Cannot be used as the charging

### MP310 - SS GG



Initial height -A	SS-code
6.5mm	11
7.0mm	21
7.5mm	31
8.0mm	41
working stroke	spring force
1.0mm	70g
Rated current	Rated voltage
3A Max.	12V

### MP511 - SS GG



Initial height -A	SS-code
9.0mm	11
10.0mm	21
11.0mm	31
working stroke	spring force
1.0mm	70g
Rated current	Rated voltage
3A Max.	12V

**-Materials:**

- .Plunger: Brass Au over Ni
- .Barrel: Brass Au over Ni
- .Spring: SUS surface treatment

**-Mechanical:**

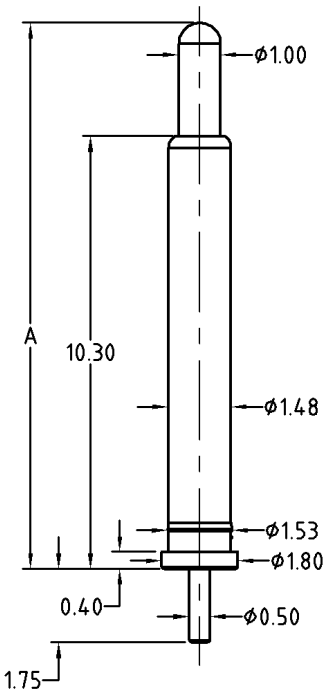
- .Full stroke: 1.40mm
- .Life test: 100,000 cycles

**-Electrical:**

- .Contact resistance: 50 milliohm Max.

G-Barrel	G-Plunger
1-0.125um	1-0.125um
2-0.25um	2-0.25um
3-0.375um	3-0.375um
4-0.5um	4-0.5um
5-0.75um	5-0.75um
...	...

**MP512 - SS GG**

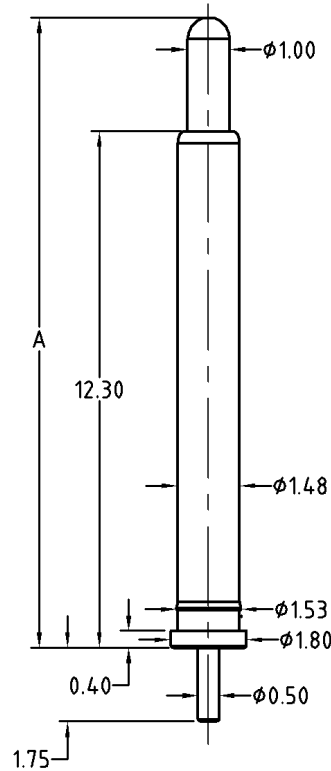


Initial height -A	SS- code
12.0mm	11
13.0mm	21
14.0mm	31

working stroke	spring force
1.0mm	70g

Rated current	Rated voltage
3A Max.	12V

**MP513 - SS GG**



Initial height -A	SS- code
15.0mm	11

working stroke	spring force
1.0mm	70g

Rated current	Rated voltage
3A Max.	12V