

Spring-Loaded Connectors

3.30mm length tube

Single row strips

-Materials:

.Insulator: Black plastics (265°C) UL94 V-0

.Plunger: Brass Au over Ni

.Barrel: Brass Au over Ni

.Spring: SUS surface treatment

-Mechanical:

.Spring force: 90g+/-20g at 1.0mm working stroke

.Full stroke: 1.40mm

.Life test: 100,000 cycles

-Electrical:

.Rated current & voltage: DC12V; 1A Max.

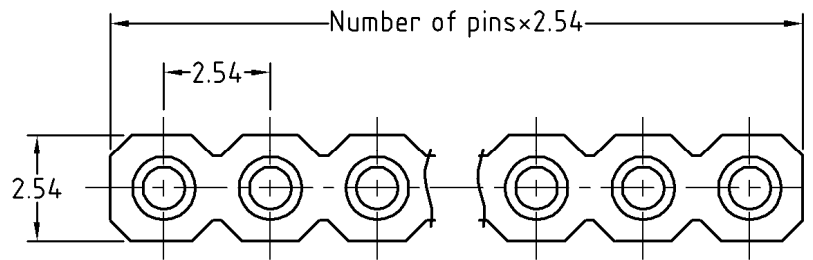
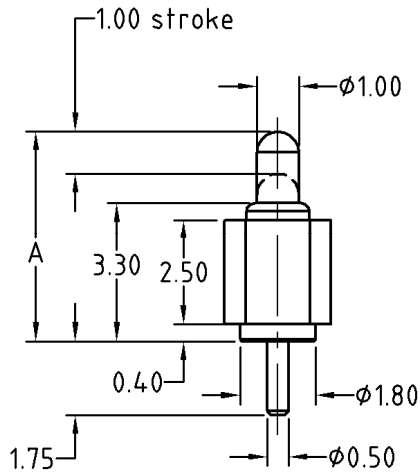
.Contact resistance: 50 milliohm Max.

Initial height-A	SS-code
4.5mm	11
5.0mm	21

G-Barrel	G-Plunger
1-0.125um	1-0.125um
2-0.25um	2-0.25um
3-0.375um	3-0.375um
4-0.5um	4-0.5um
5-0.75um	5-0.75um
...	...

NN-Pins
01~64

Single row series → MP110 - SS GG - A NN 100A



Spring-Loaded Connectors

3.30mm length tube

Double row strips

-Materials:

- .Insulator: Black plastics (265°C) UL94 V-0
- .Plunger: Brass Au over Ni
- .Barrel: Brass Au over Ni
- .Spring: SUS surface treatment

-Mechanical:

- .Spring force: 90g+/-20g at 1.0mm working stroke
- .Full stroke: 1.40mm
- .Life test: 100,000 cycles

-Electrical:

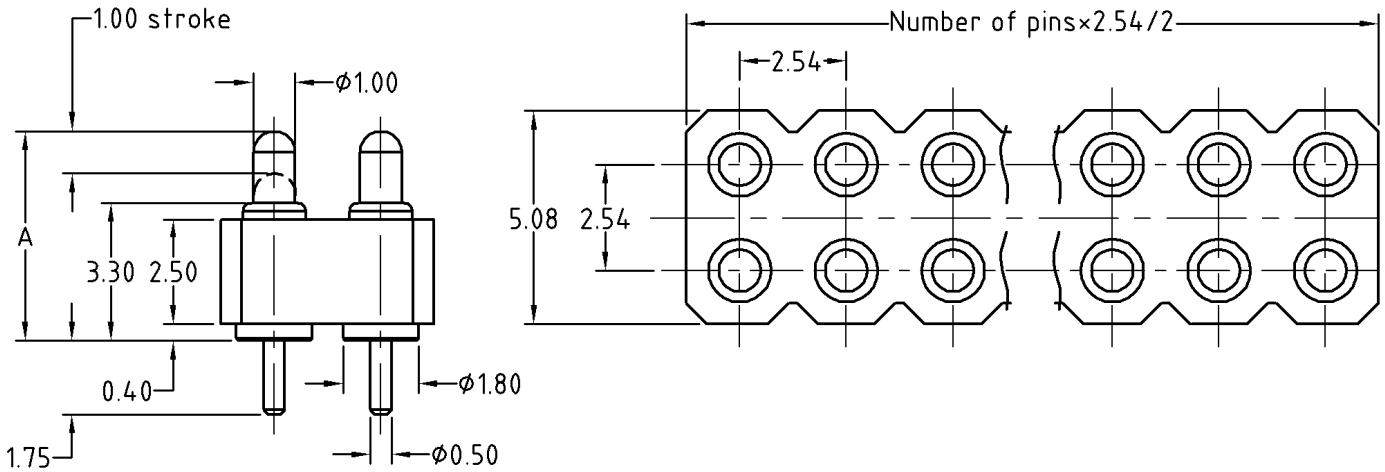
- .Rated current & voltage: DC12V; 1A Max.
- .Contact resistance: 50 milliohm Max.

Initial height-A	SS-code
4.5mm	11
5.0mm	21

G-Barrel	G-Plunger
1-0.125um	1-0.125um
2-0.25um	2-0.25um
3-0.375um	3-0.375um
4-0.5um	4-0.5um
5-0.75um	5-0.75um
...	...

NN-Pins
01~64

Double row series → MP110 - SS GG - B NN 100A



Spring-Loaded Connectors

4.30mm length tube

Single row strips

-Materials:

.Insulator: Black plastics (265°C) UL94 V-0

.Plunger: Brass Au over Ni

.Barrel: Brass Au over Ni

.Spring: SUS surface treatment

-Mechanical:

.Spring force: 70g+/-20g at 1.0mm working stroke

.Full stroke: 1.40mm

.Life test: 100,000 cycles

-Electrical:

.Rated current & voltage: DC12V; 3A Max.

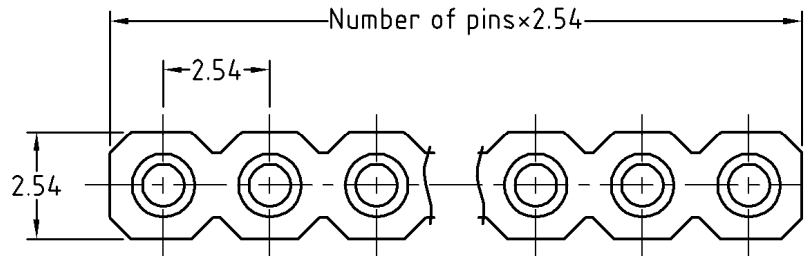
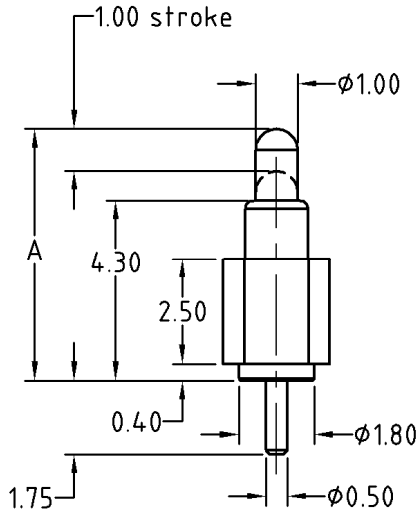
.Contact resistance: 50 milliohm Max.

Initial height-A	SS-code
5.5mm	11
6.0mm	21

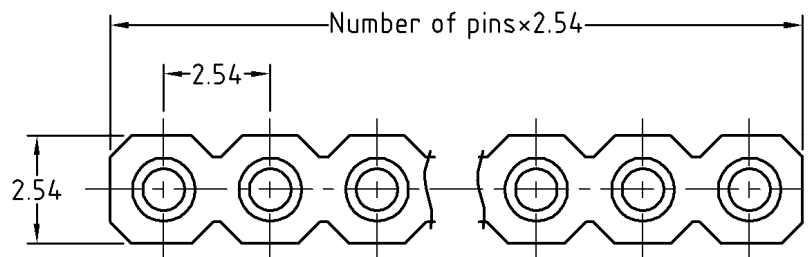
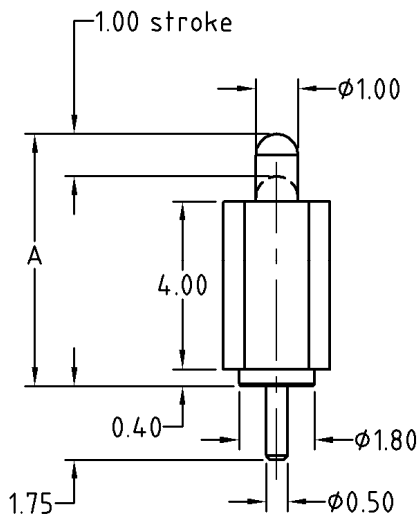
G-Barrel	G-Plunger
1-0.125um	1-0.125um
2-0.25um	2-0.25um
3-0.375um	3-0.375um
4-0.5um	4-0.5um
5-0.75um	5-0.75um
...	...

NN-Pins
01~64

Single row series → MP210 - SS GG - A NN 100A



Single row series → MP210 - SS GG - E NN 100A



Spring-Loaded Connectors

4.30mm length tube
Double row strips

-Materials:

- .Insulator: Black plastics (265°C) UL94 V-0
- .Plunger: Brass Au over Ni
- .Barrel: Brass Au over Ni
- .Spring: SUS surface treatment

-Mechanical:

- .Spring force: 70g+/-20g at 1.0mm working stroke
- .Full stroke: 1.40mm
- .Life test: 100,000 cycles

-Electrical:

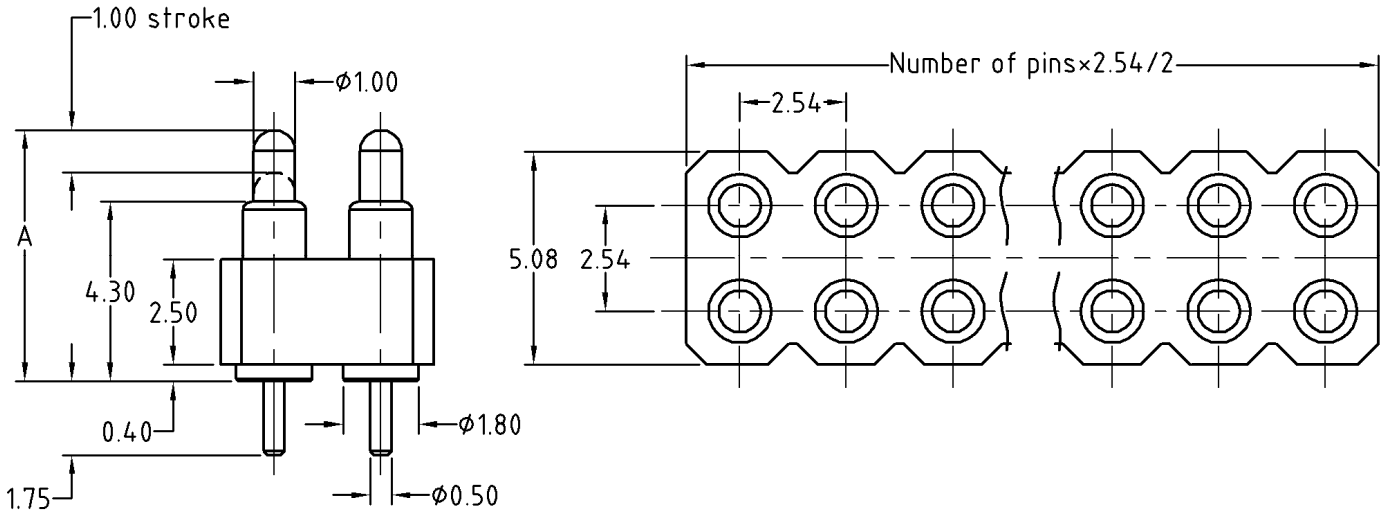
- .Rated current & voltage: DC12V; 3A Max.
- .Contact resistance: 50 milliohm Max.

Initial height-A	SS-code
5.5mm	11
6.0mm	21

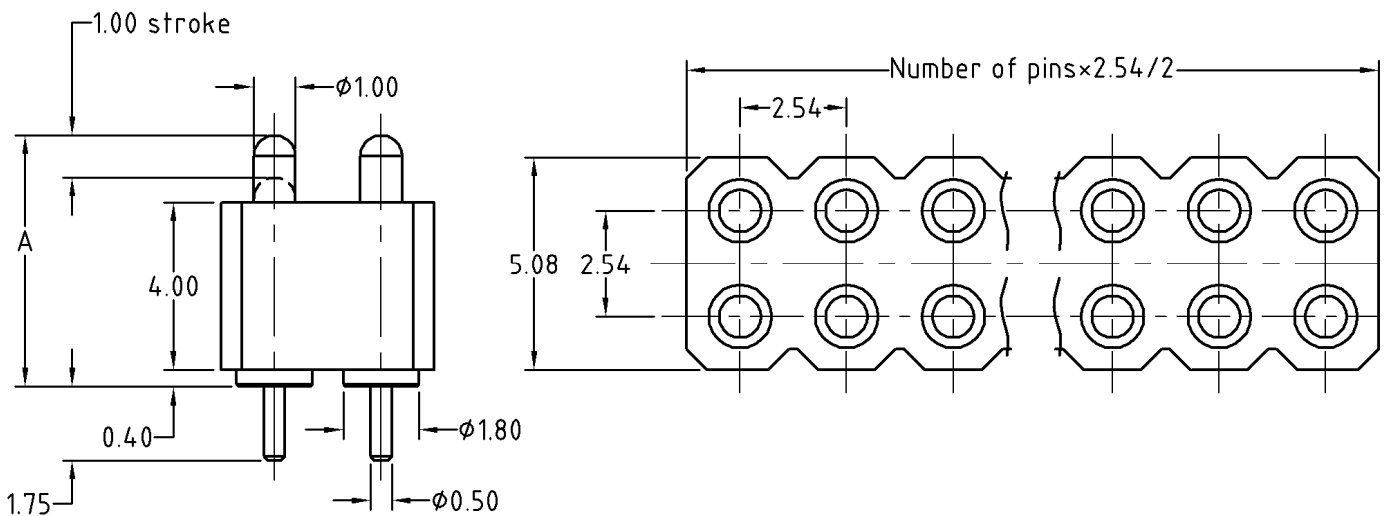
G-Barrel	G-Plunger
1-0.125um	1-0.125um
2-0.25um	2-0.25um
3-0.375um	3-0.375um
4-0.5um	4-0.5um
5-0.75um	5-0.75um
...	...

NN-Pins
01~64

Double row series → MP210 - SS GG - B NN 100A



Double row series → MP210 - SS GG - F NN 100A



Spring-Loaded Connectors

5.30mm length tube

Single row strips

-Materials:

.Insulator: Black plastics (265°C) UL94 V-0

.Plunger: Brass Au over Ni

.Barrel: Brass Au over Ni

.Spring: SUS surface treatment

-Mechanical:

.Spring force: 70g+/-20g at 1.0mm working stroke

.Full stroke: 1.40mm

.Life test: 100,000 cycles

-Electrical:

.Rated current & voltage: DC12V; 3A Max.

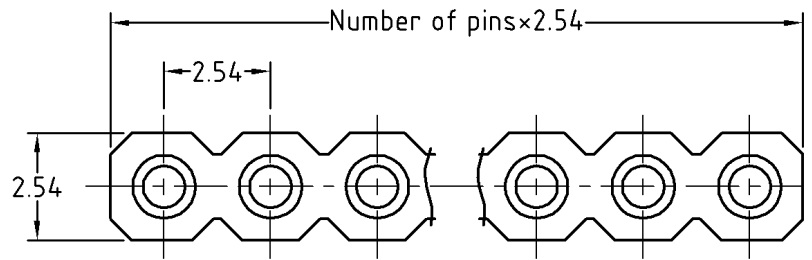
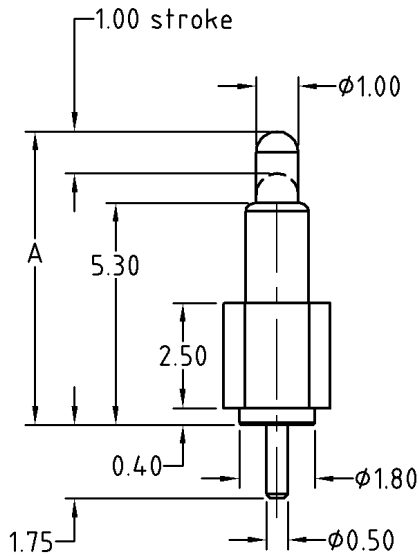
.Contact resistance: 50 milliohm Max.

Initial height-A	SS-code
6.5mm	11
7.0mm	21
7.5mm	31
8.0mm	41

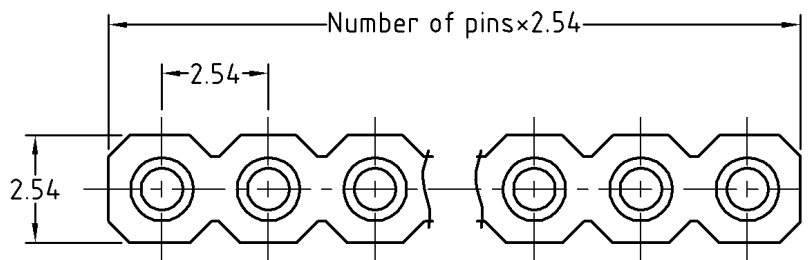
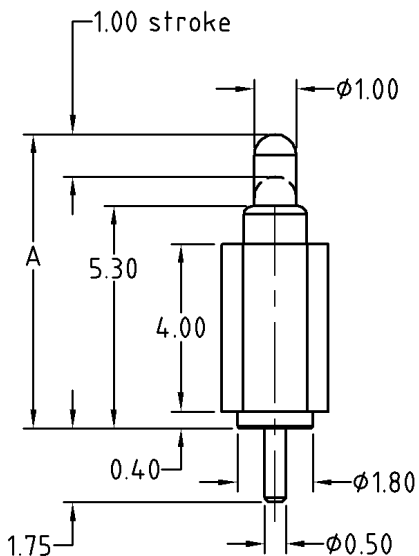
G-Barrel	G-Plunger
1-0.125um	1-0.125um
2-0.25um	2-0.25um
3-0.375um	3-0.375um
4-0.5um	4-0.5um
5-0.75um	5-0.75um
...	...

NN-Pins
01~64

Single row series → MP310 - SS GG - A NN 100A



Single row series → MP310 - SS GG - E NN 100A



-Materials:

- .Insulator: Black plastics (265°C) UL94 V-0
- .Plunger: Brass Au over Ni
- .Barrel: Brass Au over Ni
- .Spring: SUS surface treatment

-Mechanical:

- .Spring force: 70g+/-20g at 1.0mm working stroke
- .Full stroke: 1.40mm
- .Life test: 100,000 cycles

-Electrical:

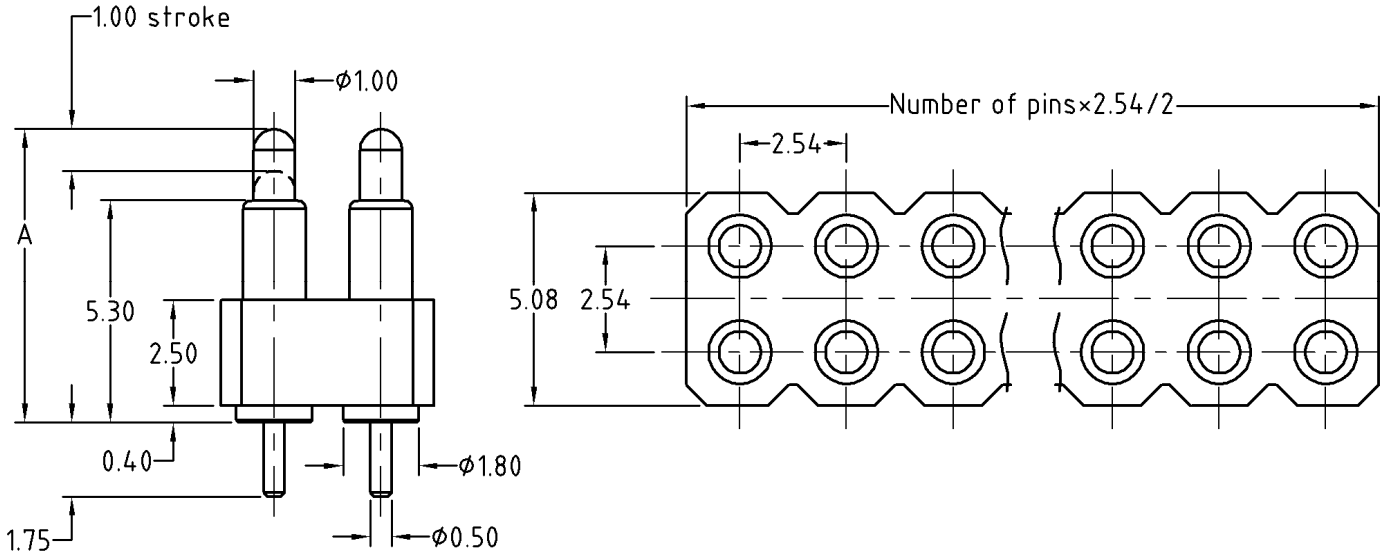
- .Rated current & voltage: DC12V; 3A Max.
- .Contact resistance: 50 milliohm Max.

Initial height-A	SS-code
6.5mm	11
7.0mm	21
7.5mm	31
8.0mm	41

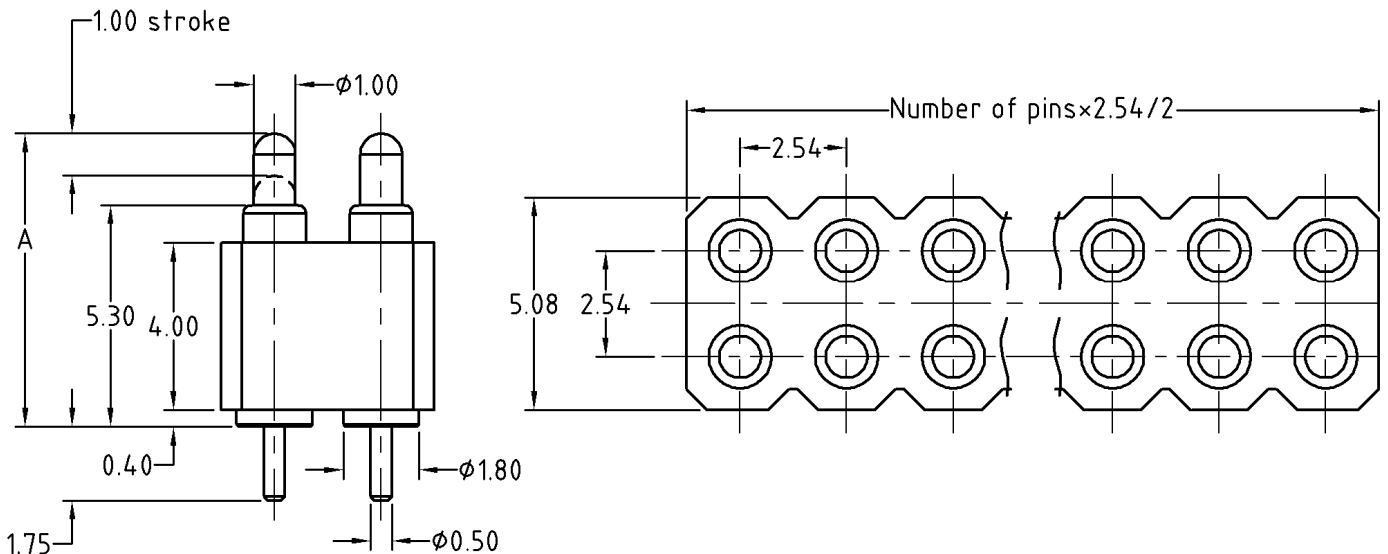
G-Barrel	G-Plunger
1-0.125um	1-0.125um
2-0.25um	2-0.25um
3-0.375um	3-0.375um
4-0.5um	4-0.5um
5-0.75um	5-0.75um
...	...

NN-Pins
01~64

Double row series → MP310 - SS GG - B NN 100A



Double row series → MP310 - SS GG - F NN 100A



Spring-Loaded Connectors

5.30mm length tube

Single row strips

-Materials:

.Insulator: Black plastics (265°C) UL94 V-0

.Plunger: Brass Au over Ni

.Barrel: Brass Au over Ni

.Spring: SUS surface treatment

-Mechanical:

.Spring force: 70g±20g at 1.0mm working stroke

.Full stroke: 1.40mm

.Life test: 100,000 cycles

-Electrical:

.Rated current & voltage: DC12V; 3A Max.

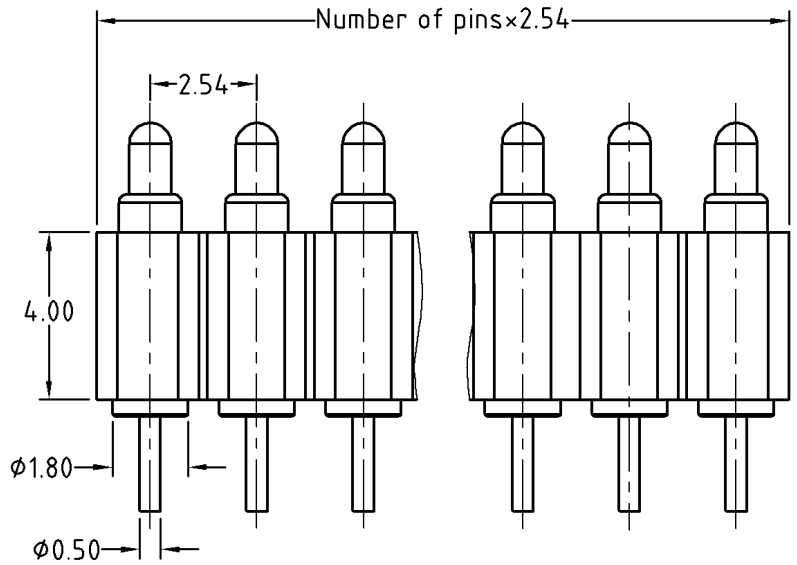
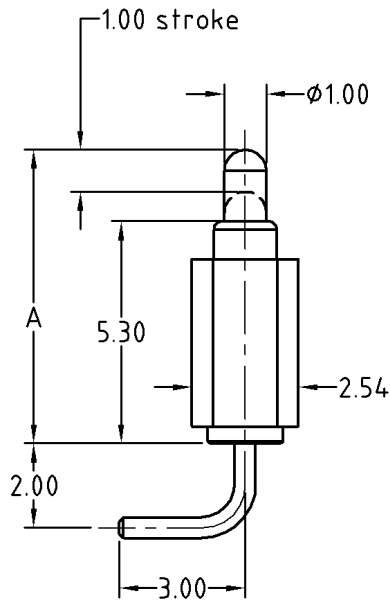
.Contact resistance: 50 milliohm Max.

Initial height-A	SS-code
6.5mm	11
7.0mm	21
7.5mm	31
8.0mm	41

G-Barrel	G-Plunger
1-0.125um	1-0.125um
2-0.25um	2-0.25um
3-0.375um	3-0.375um
4-0.5um	4-0.5um
5-0.75um	5-0.75um
...	...

NN-Pins
01~64

Single row series → MP320 - SS GG - E NN 100A



Spring-Loaded Connectors

5.30mm length tube

Double row strips

-Materials:

.Insulator: Black plastics (265°C) UL94 V-0

.Plunger: Brass Au over Ni

.Barrel: Brass Au over Ni

.Spring: SUS surface treatment

-Mechanical:

.Spring force: 70g+/-20g at 1.0mm working stroke

.Full stroke: 1.40mm

.Life test: 100,000 cycles

-Electrical:

.Rated current & voltage: DC12V; 3A Max.

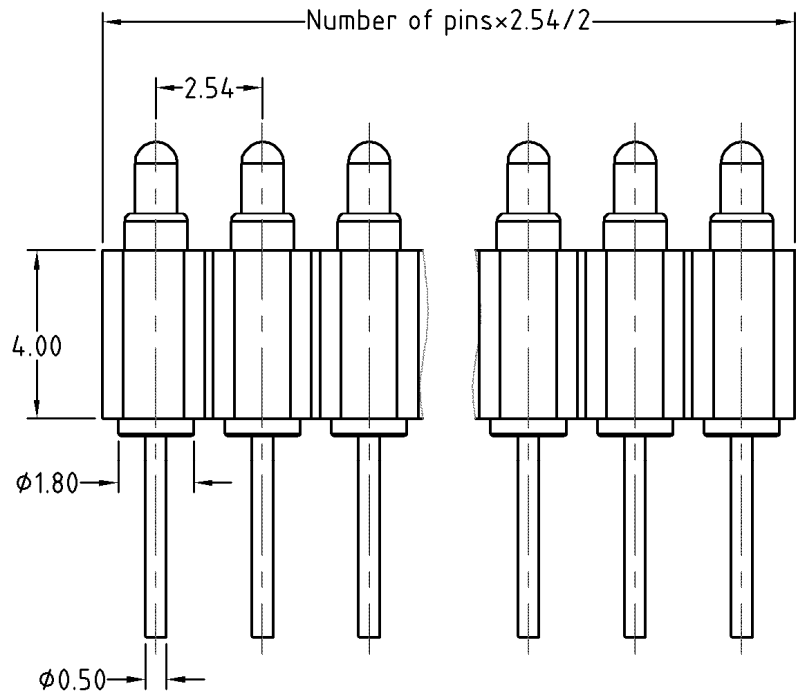
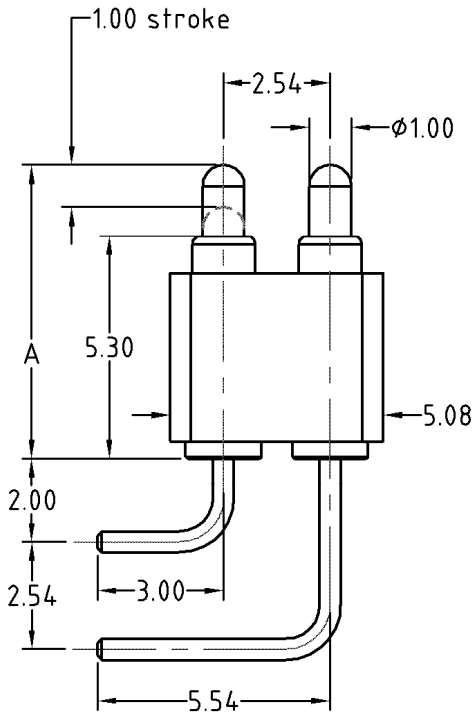
.Contact resistance: 50 milliohm Max.

Initial height-A	SS-code
6.5mm	11
7.0mm	21
7.5mm	31
8.0mm	41

G-Barrel	G-Plunger
1-0.125um	1-0.125um
2-0.25um	2-0.25um
3-0.375um	3-0.375um
4-0.5um	4-0.5um
5-0.75um	5-0.75um
...	...

NN-Pins
01~64

Double row series → MP320 - SS GG - F NN 100A



Spring-Loaded Connectors

7.30mm length tube

Single row strips

-Materials:

- .Insulator: Black plastics (265°C) UL94 V-0
- .Plunger: Brass Au over Ni
- .Barrel: Brass Au over Ni
- .Spring: SUS surface treatment

-Mechanical:

- .Spring force: 70g+/-20g at 1.0mm working stroke
- .Full stroke: 1.40mm
- .Life test: 100,000 cycles

-Electrical:

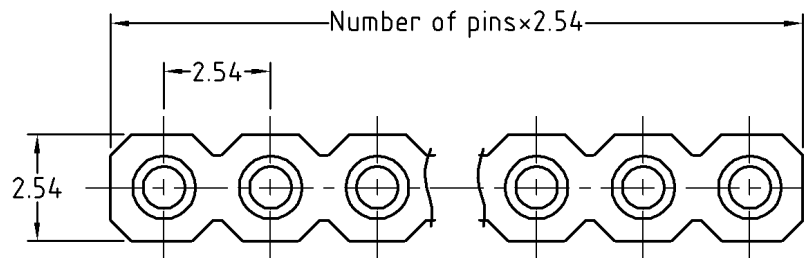
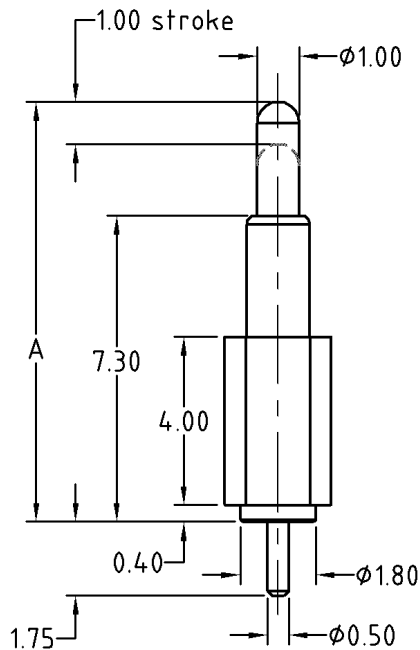
- .Rated current & voltage: DC12V; 3A Max.
- .Contact resistance: 50 milliohm Max.

Initial height-A	SS-code
9.0mm	11
10.0mm	21
11.0mm	31

G-Barrel	G-Plunger
1-0.125um	1-0.125um
2-0.25um	2-0.25um
3-0.375um	3-0.375um
4-0.5um	4-0.5um
5-0.75um	5-0.75um
...	...

NN-Pins
01~64

Single row series → MP511 - **SS** **GG** - E **NN** 100A



Spring-Loaded Connectors

7.30mm length tube

Double row strips

-Materials:

.Insulator: Black plastics (265°C) UL94 V-0

.Plunger: Brass Au over Ni

.Barrel: Brass Au over Ni

.Spring: SUS surface treatment

-Mechanical:

.Spring force: 70g+/-20g at 1.0mm working stroke

.Full stroke: 1.40mm

.Life test: 100,000 cycles

-Electrical:

.Rated current & voltage: DC12V; 3A Max.

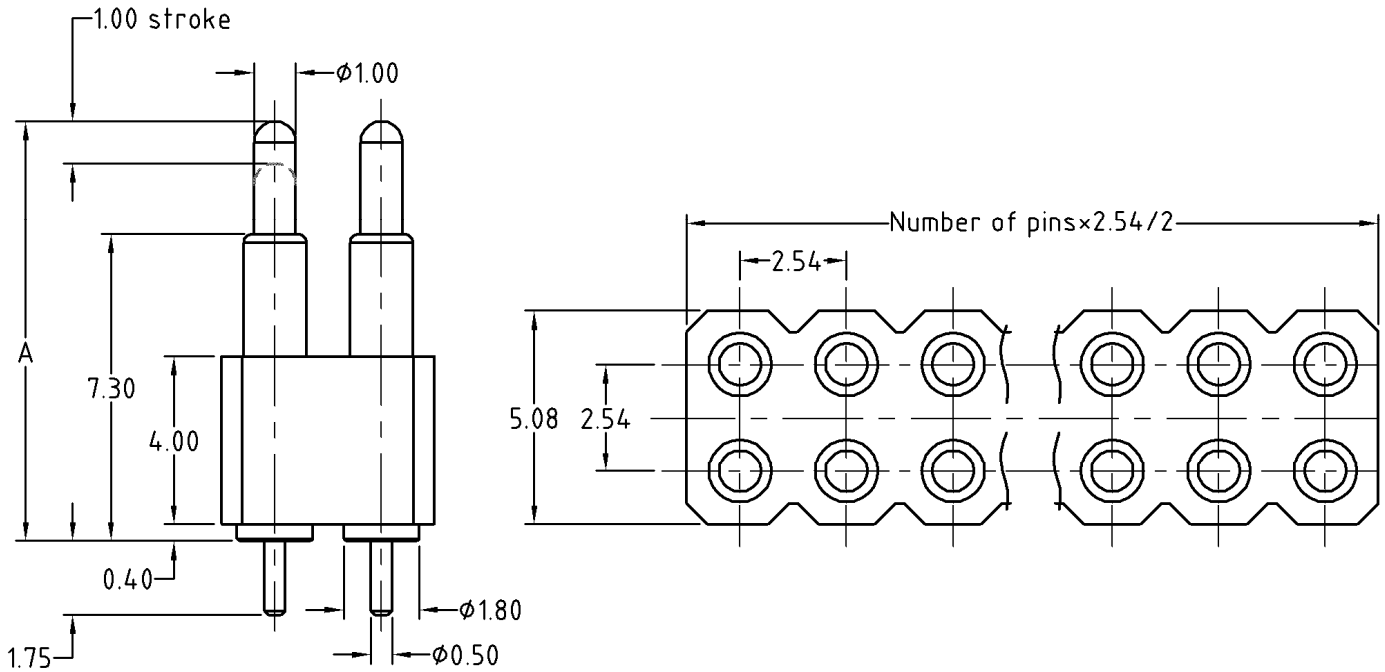
.Contact resistance: 50 milliohm Max.

Initial height-A	SS-code
9.0mm	11
10.0mm	21
11.0mm	31

G-Barrel	G-Plunger
1-0.125um	1-0.125um
2-0.25um	2-0.25um
3-0.375um	3-0.375um
4-0.5um	4-0.5um
5-0.75um	5-0.75um
...	...

NN-Pins
01~64

Double row series → MP511 - SS GG - F NN 100A



Spring-Loaded Connectors

10.30mm length tube

Single row strips

-Materials:

- .Insulator: Black plastics (265°C) UL94 V-0
- .Plunger: Brass Au over Ni
- .Barrel: Brass Au over Ni
- .Spring: SUS surface treatment

-Mechanical:

- .Spring force: 70g+/-20g at 1.0mm working stroke
- .Full stroke: 1.40mm
- .Life test: 100,000 cycles

-Electrical:

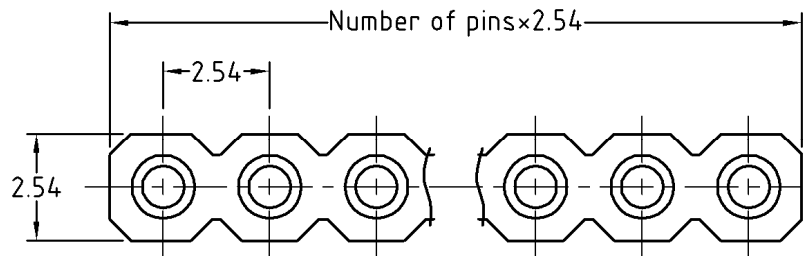
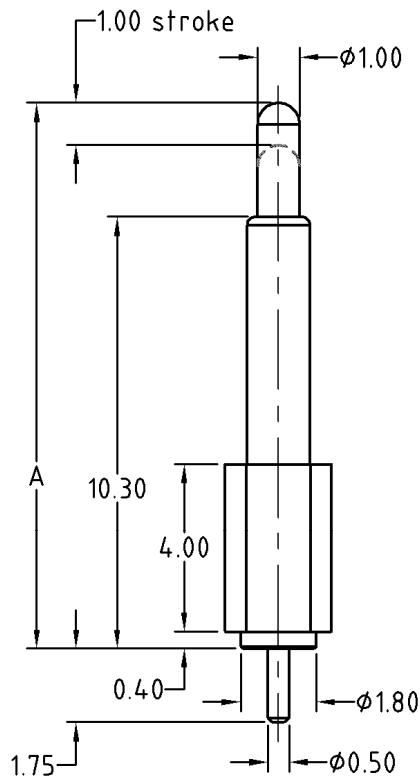
- .Rated current & voltage: DC12V; 3A Max.
- .Contact resistance: 50 milliohm Max.

Initial height-A	SS-code
12.0mm	11
13.0mm	21
14.0mm	31

G-Barrel	G-Plunger
1-0.125um	1-0.125um
2-0.25um	2-0.25um
3-0.375um	3-0.375um
4-0.5um	4-0.5um
5-0.75um	5-0.75um
...	...

NN-Pins
01~64

Single row series → MP512 - **SS** **GG** - E **NN** 100A



Spring-Loaded Connectors

10.30mm length tube

Double row strips

-Materials:

.Insulator: Black plastics (265°C) UL94 V-0

.Plunger: Brass Au over Ni

.Barrel: Brass Au over Ni

.Spring: SUS surface treatment

-Mechanical:

.Spring force: 70g+/-20g at 1.0mm working stroke

.Full stroke: 1.40mm

.Life test: 100,000 cycles

-Electrical:

.Rated current & voltage: DC12V; 3A Max.

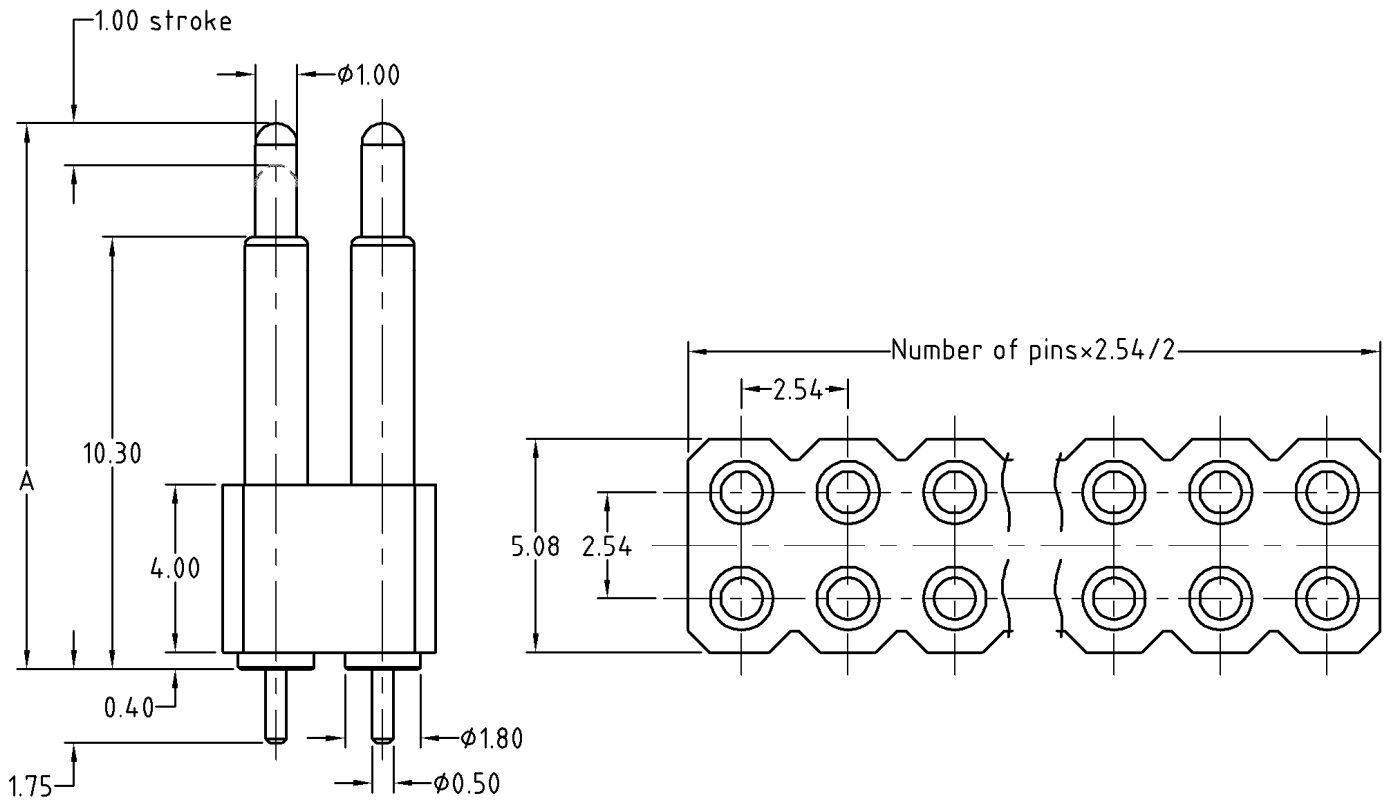
.Contact resistance: 50 milliohm Max.

Initial height-A	SS-code
12.0mm	11
13.0mm	21
14.0mm	31

G-Barrel	G-Plunger
1-0.125um	1-0.125um
2-0.25um	2-0.25um
3-0.375um	3-0.375um
4-0.5um	4-0.5um
5-0.75um	5-0.75um
...	...

NN-Pins
01~64

Double row series → MP512 - SS GG - F NN 100A



Spring-Loaded Connectors

12.30mm length tube

Single row strips

-Materials:

- .Insulator: Black plastics (265°C) UL94 V-0
- .Plunger: Brass Au over Ni
- .Barrel: Brass Au over Ni
- .Spring: SUS surface treatment

-Mechanical:

- .Spring force: 70g+/-20g at 1.0mm working stroke
- .Full stroke: 1.40mm
- .Life test: 100,000 cycles

-Electrical:

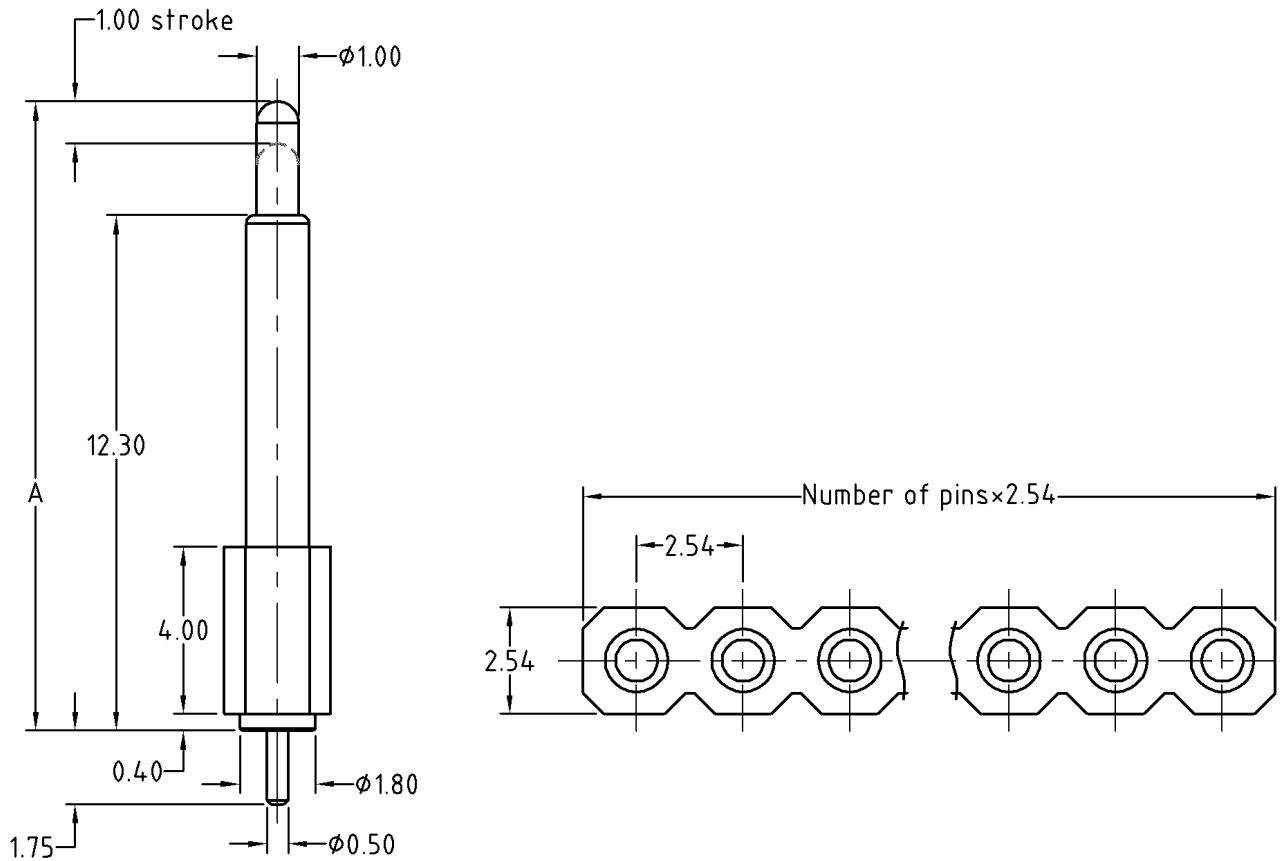
- .Rated current & voltage: DC12V; 3A Max.
- .Contact resistance: 50 milliohm Max.

Initial height- A	SS -code
15.0mm	11

G-Barrel	G-Plunger
1-0.125um	1-0.125um
2-0.25um	2-0.25um
3-0.375um	3-0.375um
4-0.5um	4-0.5um
5-0.75um	5-0.75um
...	...

NN -Pins
01~64

Single row series → MP513 - **SS** **GG** - E **NN** 100A



Spring-Loaded Connectors

12.30mm length tube

Double row strips

-Materials:

- .Insulator: Black plastics (265°C) UL94 V-0
- .Plunger: Brass Au over Ni
- .Barrel: Brass Au over Ni
- .Spring: SUS surface treatment

-Mechanical:

- .Spring force: 70g+/-20g at 1.0mm working stroke
- .Full stroke: 1.40mm
- .Life test: 100,000 cycles

-Electrical:

- .Rated current & voltage: DC12V; 3A Max.
- .Contact resistance: 50 milliohm Max.

Initial height- A	SS -code
15.0mm	11

G-Barrel	G-Plunger
1-0.125um	1-0.125um
2-0.25um	2-0.25um
3-0.375um	3-0.375um
4-0.5um	4-0.5um
5-0.75um	5-0.75um
...	...

NN -Pins
01~64

Double row series → MP513 - **SS GG - F **NN** 100A**

