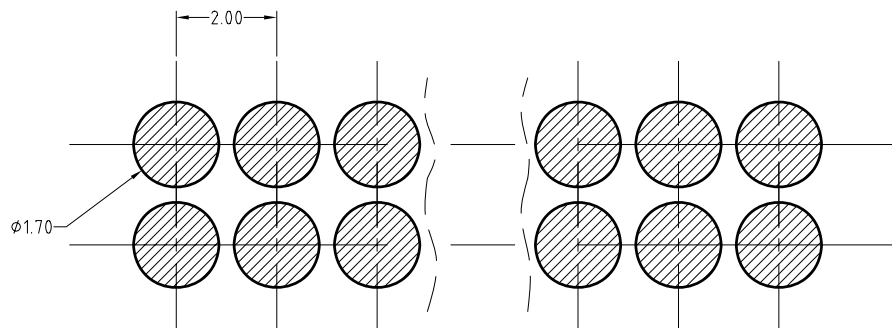
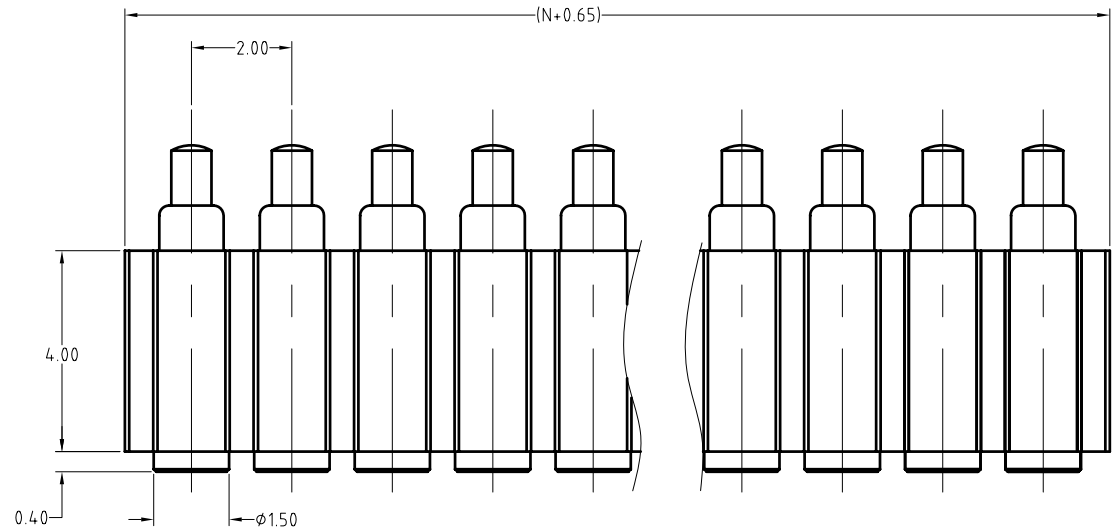
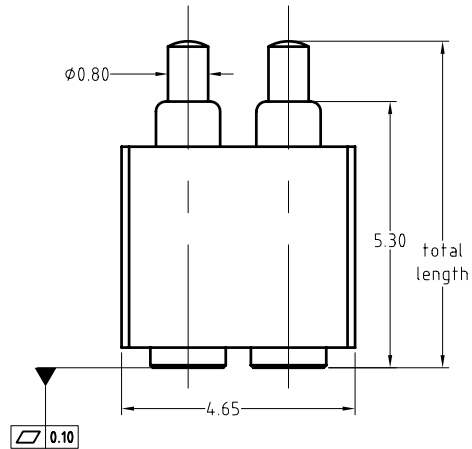


Note:
 Materials:
 .Insulator: Black high temperature plastics UI94 V-0
 .Plunger: Brass Au over Ni.
 .Spring: SUS surface treatment
 .Barrel: Brass Au over Ni.
 Mechanical:
 .Contact force: 70g±20g at 1.0mm working stroke
 .Full stroke: 1.40mm
 .Life test: 20,000 cycles
 Electrical:
 .Rated current & voltage: DC12V; 3A
 .Contact resistance: 50 milliohm Max.
 Cannot be used as the charging.
 Standard tolerances are:
 .Diameters: +/-0.05mm
 .Lengths: +/-0.15mm
 .Angles: +/-2°



Approve Sign

MF811-SSGG-LNN100A		
Pogo pin	MF811-SSGG	NN
Insulator	H200-NNL01	1



Recommended pcb layout
 Layout tolerance: ±0.05mm

MF811-SSGG-LNN100A					
SS	Rated current	Total length	GG-Plating:		NN-Number of pins:
11	3A Max.	6.50mm	Barrel A-0.025um	Plunger A-0.025um	01-1 pin
21	3A Max.	7.0mm	B-0.075um	B-0.075um	02-2 pin
31	3A Max.	7.50mm	1-0.125um	1-0.125um	...
41	3A Max.	8.0mm	2-0.25um	2-0.25um	36-36 pin
			3-0.375um	3-0.375um	
			4-0.5um	4-0.5um	

SCALE	10:1	UNIT:mm	THIS DOCUMENT IS THE SOLE PROPERTY OF CFE CORPORATION CO.,LTD., AND SHOULD NOT BE USED IN WHOLE OR IN PART WITHOUT PRIOR WRITTEN PERMISSION.
ANGEL	±2°	A4	
0~6	±0.05		
6~30	±0.10	DRAW	
30~150	±0.15	CHECK	
GENERAL TOLERANCE UNLESS OTHERWISE NOTED		APPRO	



PART NO. MF811-SSGG-LNN100A

FILE NAME MF8XX

TITLE. Pogo pin connector

ECN(DCN) NO.	REV	DATE	DESCRIPTION
	A0	2016.03.23	NEW