

-Materials:

- .Plunger: Brass Au over Ni
- .Barrel: Brass Au over Ni
- .Spring: SUS surface treatment

-Mechanical:

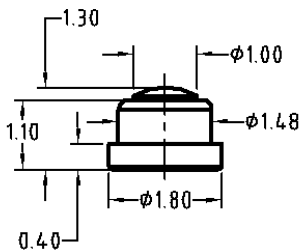
- .Life test: 100,000 cycles

-Electrical:

- .Contact resistance: 50 milliohm Max.

| G-Barrel | G-Plunger |
|-----------|-----------|
| 1-0.125um | 1-0.125um |
| 2-0.25um | 2-0.25um |
| 3-0.375um | 3-0.375um |
| 4-0.5um | 4-0.5um |
| 5-0.75um | 5-0.75um |
| ... | ... |

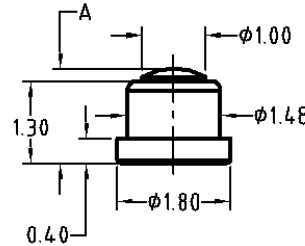
MF601 - SS GG



| Initial height -A | SS-code |
|----------------------|---------------|
| 1.30mm | 11 |
| | |
| | |
| | |
| | |
| working stroke | spring force |
| 0.20mm | 30g |
| Rated current | Rated voltage |
| 1A Max. | 12V |

※Cannot be used as the charging

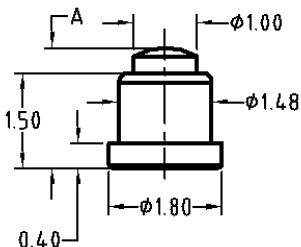
MF602 - SS GG



| Initial height -A | SS-code |
|----------------------|---------------|
| 1.50mm | 11 |
| 1.70mm | 21 |
| | |
| | |
| | |
| working stroke | spring force |
| 0.20mm | 30g |
| Rated current | Rated voltage |
| 1A Max. | 12V |

※Cannot be used as the charging

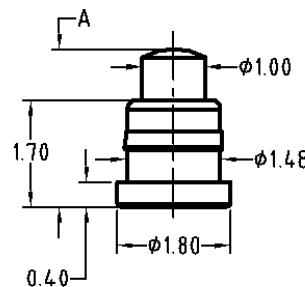
MF603 - SS GG



| Initial height -A | SS-code |
|----------------------|---------------|
| 1.90mm | 11 |
| 2.10mm | 21 |
| 2.30mm | 31 |
| | |
| | |
| working stroke | spring force |
| 0.40mm | 70g |
| Rated current | Rated voltage |
| 1A Max. | 12V |

※Cannot be used as the charging

MF604 - SS GG



| Initial height -A | SS-code |
|----------------------|---------------|
| 2.50mm | 11 |
| 2.70mm | 21 |
| | |
| | |
| | |
| working stroke | spring force |
| 0.6mm | 100g |
| Rated current | Rated voltage |
| 1A Max. | 12V |

※Cannot be used as the charging

-Materials:

- .Plunger: Brass Au over Ni
- .Barrel: Brass Au over Ni
- .Spring: SUS surface treatment

-Mechanical:

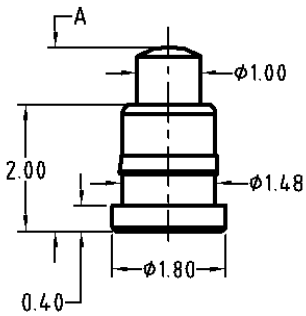
- .Life test: 100,000 cycles

-Electrical:

- .Contact resistance: 50 milliohm Max.

| G-Barrel | G-Plunger |
|-----------|-----------|
| 1-0.125um | 1-0.125um |
| 2-0.25um | 2-0.25um |
| 3-0.375um | 3-0.375um |
| 4-0.5um | 4-0.5um |
| 5-0.75um | 5-0.75um |
| ... | ... |

MF605 - SS GG



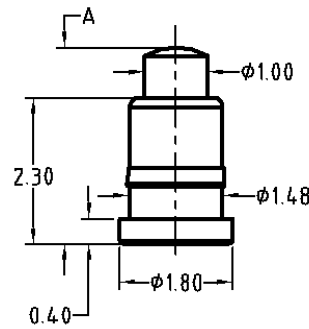
| Initial height -A | SS-code |
|----------------------|---------|
| 2.90mm | 11 |
| | |
| | |
| | |

| working stroke | spring force |
|----------------|--------------|
| 0.8mm | 100g |

| Rated current | Rated voltage |
|---------------|---------------|
| 1A Max. | 12V |

※Cannot be used as the charging

MF606 - SS GG



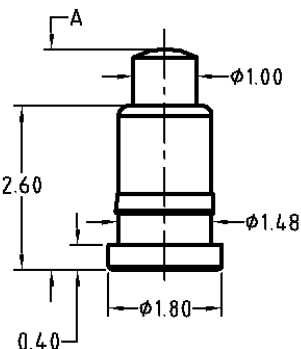
| Initial height -A | SS-code |
|----------------------|---------|
| 3.10mm | 11 |
| 3.30mm | 21 |
| | |
| | |

| working stroke | spring force |
|----------------|--------------|
| 0.8mm | 100g |

| Rated current | Rated voltage |
|---------------|---------------|
| 1A Max. | 12V |

※Cannot be used as the charging

MF607 - SS GG



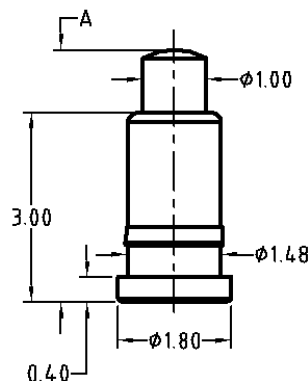
| Initial height -A | SS-code |
|----------------------|---------|
| 3.50mm | 11 |
| 3.70mm | 21 |
| 4.00mm | 31 |
| | |
| | |

| working stroke | spring force |
|----------------|--------------|
| 0.8mm | 100g |

| Rated current | Rated voltage |
|---------------|---------------|
| 1A Max. | 12V |

※Cannot be used as the charging

MF608 - SS GG



| Initial height -A | SS-code |
|----------------------|---------|
| 4.20mm | 11 |
| 4.40mm | 21 |
| | |
| | |

| working stroke | spring force |
|----------------|--------------|
| 1.0mm | 120g |

| Rated current | Rated voltage |
|---------------|---------------|
| 1A Max. | 12V |

※Cannot be used as the charging

-Materials:

- .Plunger: Brass Au over Ni
- .Barrel: Brass Au over Ni
- .Spring: SUS surface treatment

-Mechanical:

- .Full stroke: 1.40mm
- .Life test: 100,000 cycles

-Electrical:

- .Contact resistance: 50 milliohm Max.

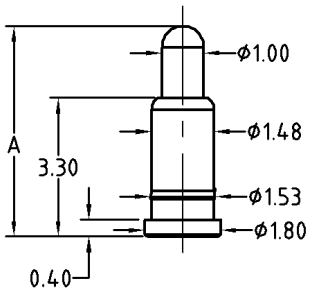
| G-Barrel | G-Plunger |
|-----------|-----------|
| 1-0.125um | 1-0.125um |
| 2-0.25um | 2-0.25um |
| 3-0.375um | 3-0.375um |
| 4-0.5um | 4-0.5um |
| 5-0.75um | 5-0.75um |
| ... | ... |

MF100 - SS GG

| Initial height -A | SS- code |
|----------------------|-------------|
| 4.5mm | 11 |
| 5.0mm | 21 |
| | |
| | |

| working stroke | spring force |
|-------------------|-----------------|
| 1.0mm | 70g |

| Rated current | Rated voltage |
|------------------|------------------|
| 1A Max. | 12V |

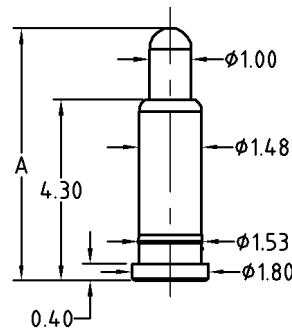


MF200 - SS GG

| Initial height -A | SS- code |
|----------------------|-------------|
| 5.5mm | 11 |
| 6.0mm | 21 |
| | |
| | |

| working stroke | spring force |
|-------------------|-----------------|
| 1.0mm | 70g |

| Rated current | Rated voltage |
|------------------|------------------|
| 3A Max. | 12V |



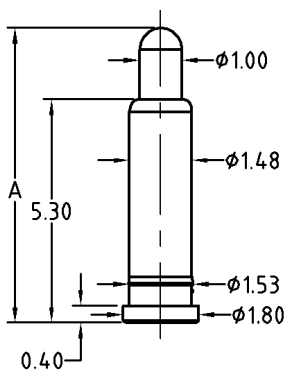
※Cannot be used as the charging

MF300 - SS GG

| Initial height -A | SS- code |
|----------------------|-------------|
| 6.5mm | 11 |
| 7.0mm | 21 |
| 7.5mm | 31 |
| 8.0mm | 41 |
| | |

| working stroke | spring force |
|-------------------|-----------------|
| 1.0mm | 70g |

| Rated current | Rated voltage |
|------------------|------------------|
| 3A Max. | 12V |

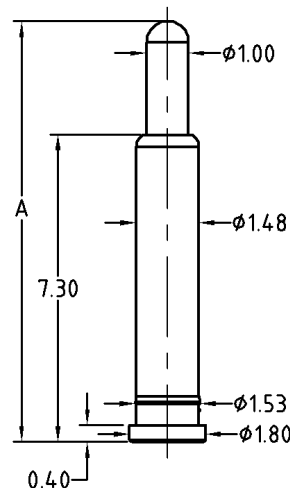


MF501 - SS GG

| Initial height -A | SS- code |
|----------------------|-------------|
| 9.0mm | 11 |
| 10.0mm | 21 |
| 11.0mm | 31 |
| | |

| working stroke | spring force |
|-------------------|-----------------|
| 1.0mm | 70g |

| Rated current | Rated voltage |
|------------------|------------------|
| 3A Max. | 12V |



-Materials:

- .Plunger: Brass Au over Ni
- .Barrel: Brass Au over Ni
- .Spring: SUS surface treatment

-Mechanical:

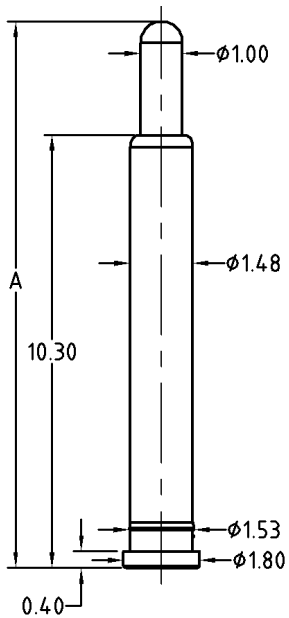
- .Full stroke: 1.40mm
- .Life test: 100,000 cycles

-Electrical:

- .Contact resistance: 50 milliohm Max.

| G-Barrel | G-Plunger |
|-----------|-----------|
| 1-0.125um | 1-0.125um |
| 2-0.25um | 2-0.25um |
| 3-0.375um | 3-0.375um |
| 4-0.5um | 4-0.5um |
| 5-0.75um | 5-0.75um |
| ... | ... |

MF502 - SS GG

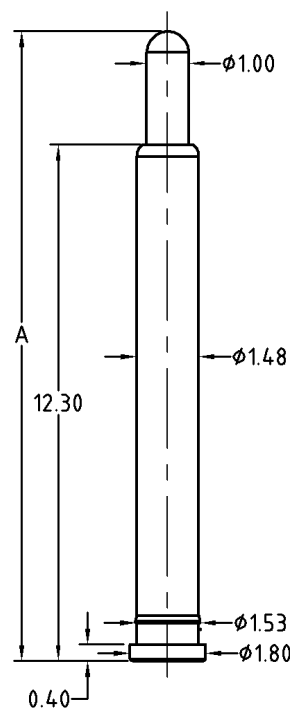


| Initial height -A | SS- code |
|----------------------|-------------|
| 12.0mm | 11 |
| 13.0mm | 21 |
| 14.0mm | 31 |
| | |

| working stroke | spring force |
|-------------------|-----------------|
| 1.0mm | 70g |

| Rated current | Rated voltage |
|------------------|------------------|
| 3A Max. | 12V |

MF503 - SS GG



| Initial height -A | SS- code |
|----------------------|-------------|
| 15.0mm | 11 |
| | |
| | |
| | |

| working stroke | spring force |
|-------------------|-----------------|
| 1.0mm | 70g |

| Rated current | Rated voltage |
|------------------|------------------|
| 3A Max. | 12V |