

-Materials:

- .Plunger: Brass Au over Ni
- .Barrel: Brass Au over Ni
- .Spring: SUS surface treatment

-Mechanical:

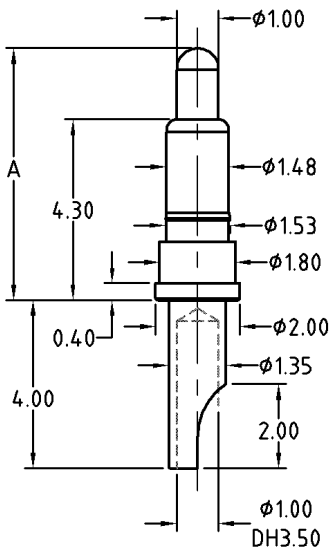
- .Full stroke: 1.40mm
- .Life test: 100,000 cycles

-Electrical:

- .Contact resistance: 50 milliohm Max.

G-Barrel	G-Plunger
1-0.125um	1-0.125um
2-0.25um	2-0.25um
3-0.375um	3-0.375um
4-0.5um	4-0.5um
5-0.75um	5-0.75um
...	...

MS230 - SS GG

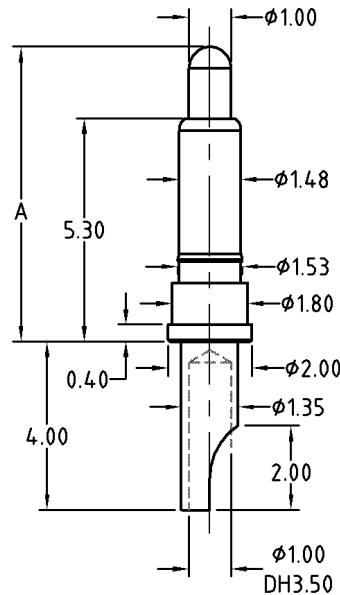


Initial height -A	SS- code
5.5mm	11
6.0mm	21

working stroke	spring force
1.0mm	70g

Rated current	Rated voltage
3A Max.	12V

MS330 - SS GG



Initial height -A	SS- code
6.5mm	11
7.0mm	21
7.5mm	31
8.0mm	41

working stroke	spring force
1.0mm	70g

Rated current	Rated voltage
3A Max.	12V