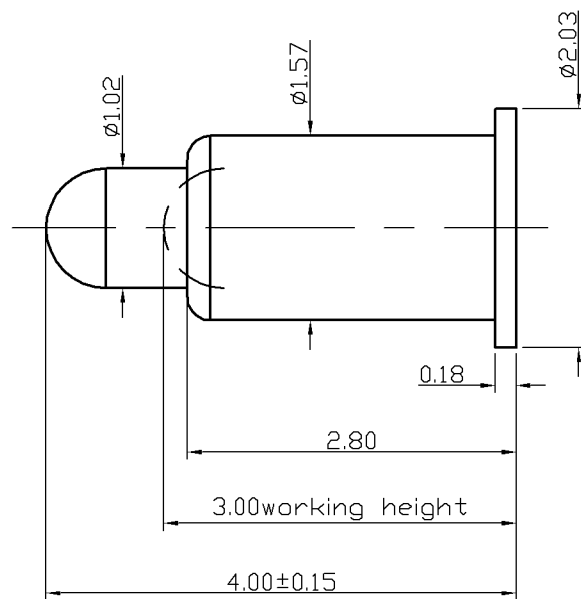


HSF 禁止使用1級環境管理物質

Note:

- 1.Mechanical demands
  - 1.Contact force: 110g±20% at working height
  - 2.Plating plunger: BeCu 15u" Au over 50~100u" Ni.  
Plating barrel: Brass 10u" Au over 50~100u" Ni.  
Plating spring: SUS surface treatment
- 2.Inspection
  - 1.Rated current & voltage: DC12V; 12A(individual probe in free air; temp rise=80°C)
  - 2.Life test: 20,000 cycles
  - 3.Contact resistance: 10 mohm Max. at working height

Approve Sign



E:\qq\?????.jpg		东莞市川富电子有限公司 DONG GUAN CFE ELECTRONICS CO.,LTD.	
TITLE.	Pogo pin		
PART NO.	BF05411		
FILE NAME	BF05411		
SCALE	1:1	UNIT:mm	A4  SHEET: 1 of 1

Angle	±1°	MAT'L	
0.0000	±0.01	COLOR	
0.000	±0.02	DRAW	Simon 2012.09.13
0.00	±0.05	DESIGN	
0.0	±0.10	CHECK	
GENERAL TOLERANCE UNLESS OTHERWISE NOTED		APPRO	

ECN(DCN) NO.	REV	DATE	DESCRIPTION	CHANGE	APPRO
	D0	2012.08.23	NEW		