

HSF 禁止使用1级环境管理物质

Approve Sign  
 \_\_\_\_\_

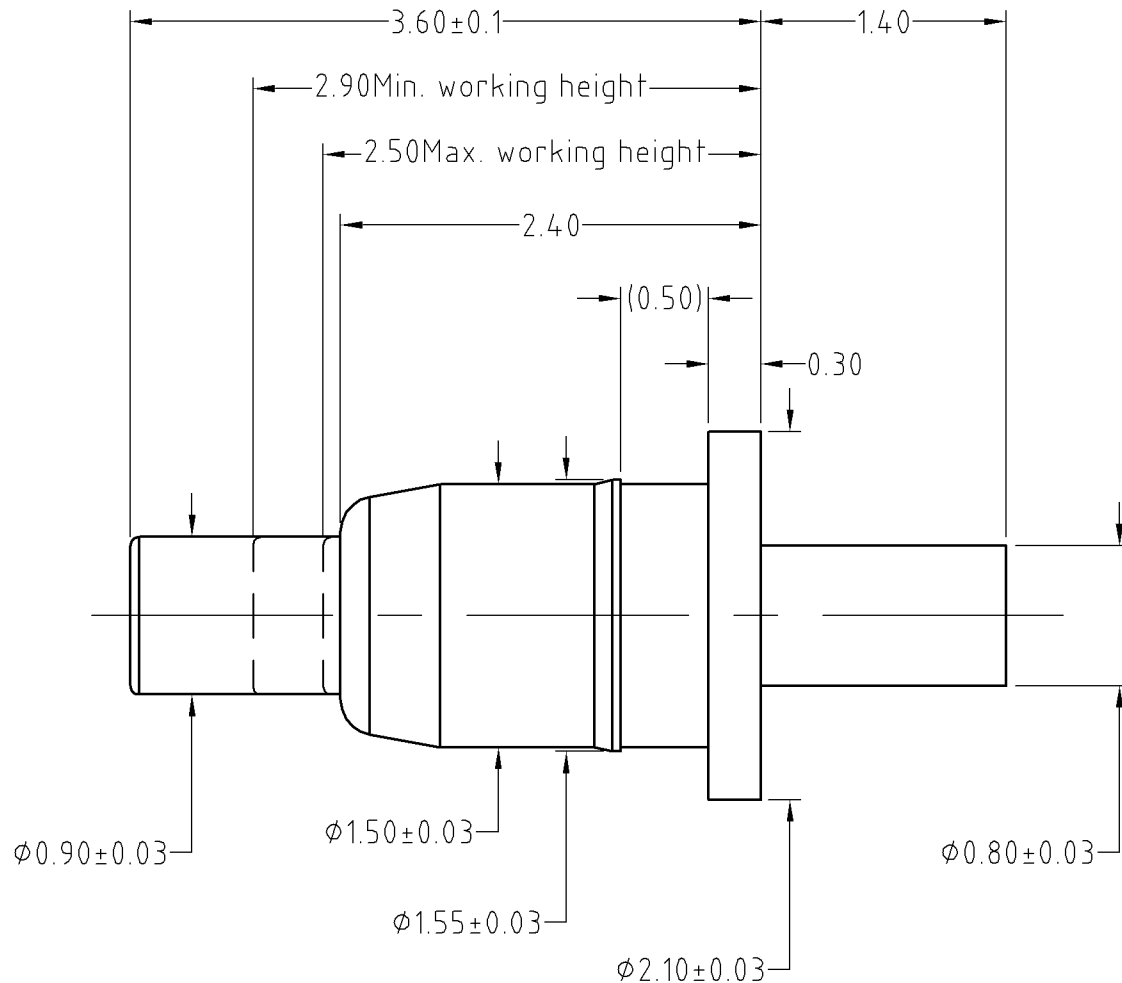
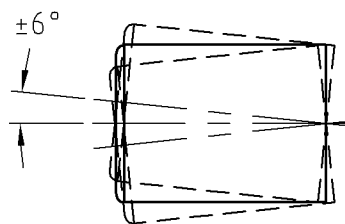
Note:

1.Mechanical demands

- .Plating plunger: Brass 30u" Au over 120u" Ni.
- .Plating barrel: Brass 30u" Au over 120u" Ni.
- .Spring: SUS304 insulate coating

2.Inspection(working height)

- .Rated current & voltage: DC12V; 4A
- .Life test: 30,000 cycles
- .Contact resistance: 100 mohm Max.



working height	spring force
2.9mm Min.	40g Min.
2.5mm Min.	80g Max.

SCALE	10:1	UNIT:mm	THIS DOCUMENT IS THE SOLE PROPERTY OF CFE CORPORATION CO.,LTD., AND SHOULD NOT BE USED IN WHOLE OR IN PART WITHOUT PRIOR WRITTEN PERMISSION.
ANGEL	±1°	A4	
0.000	±0.02		
0.00	±0.05	DRAW	
0.0	±0.10	CHECK	

		东莞市川富电子有限公司 CFE CORPORATION CO.,LTD.	
SHEET: 1 of 1		PART NO.	BP08715
		FILE NAME	BP08711
		TITLE	Pogo pin connector

_____	D0	2012.08.23	NEW		
ECN(DCN) NO.	REV	DATE	DESCRIPTION	CHANGE	APPRO

GENERAL TOLERANCE UNLESS OTHERWISE NOTED	APPRO		
--	-------	--	--