

HSF 禁止使用1级环境管理物质

To ensure the best usage, please operate it based on the working height.
Based on the engineering drawings, shall not exceed the maximum allowed compression.

Approve Sign

Note:

Materials:

.Plunger: Brass 10u" Au over 50u" Ni

.Barrel: Brass 5u" Au over 50u" Ni

.Spring: SUS 1u" Au

Mechanical:

.Contact force: 190g±40g at 1.3mm working stroke

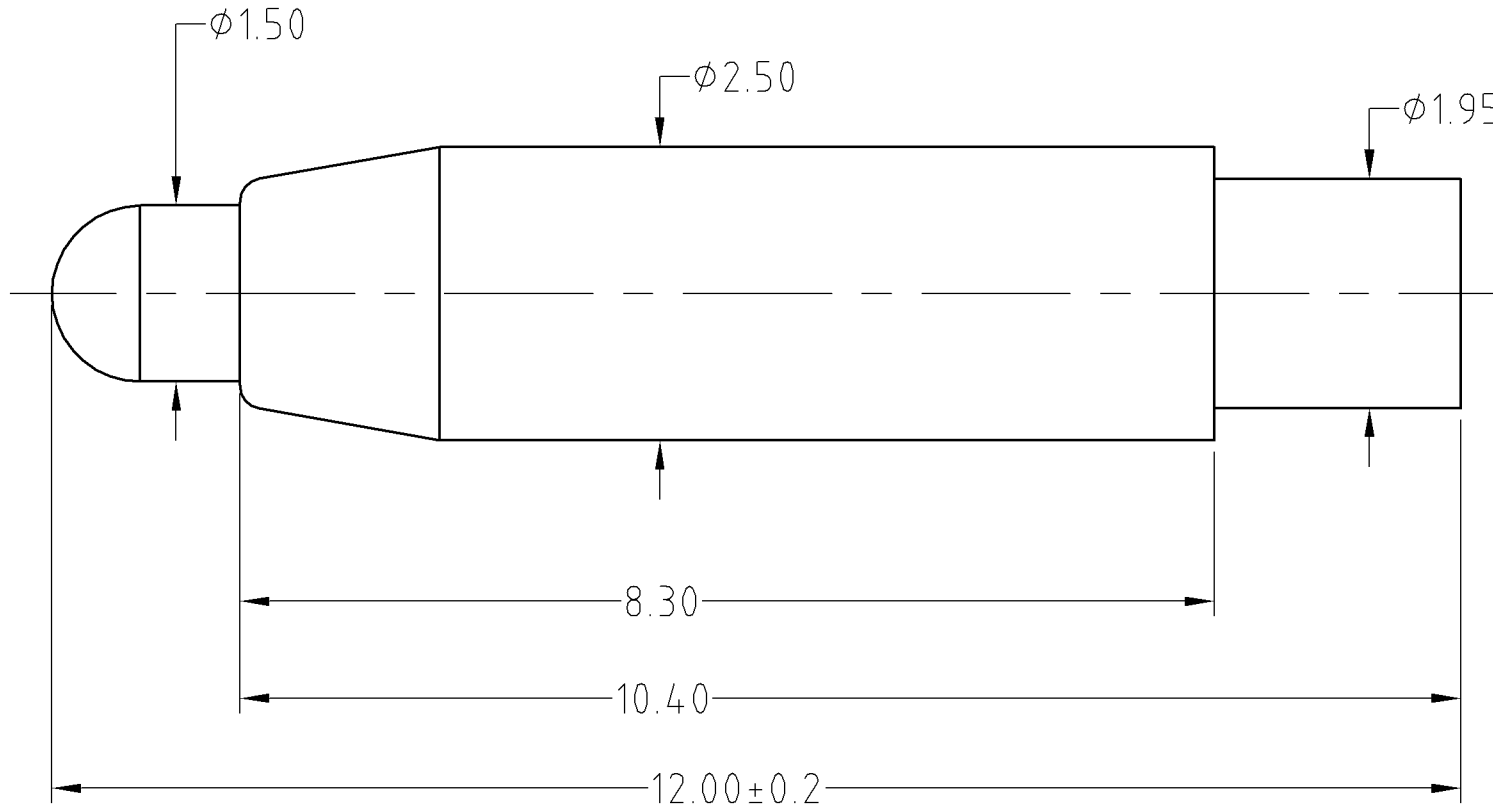
.Full stroke: 1.5mm

.Life test: 20,000 cycles

Electrical:

.Rated current & voltage: DC 12V; 5A

.Contact resistance: 50 milliohm Max.



SCALE	10:1	UNIT:mm	THIS DOCUMENT IS THE SOLE PROPERTY OF CFE CORPORATION CO.,LTD., AND SHOULD NOT BE USED IN WHOLE OR IN PART WITHOUT PRIOR WRITTEN PERMISSION.	SHEET: 1 of 1	PART NO.	BP10911	
ANGEL	$\pm 1^\circ$	A4				FILE NAME	BP10911
0.000	± 0.02					TITLE.	Pogo pin connector
0.00	± 0.05	DRAW					
0.0	± 0.10	CHECK					
GENERAL TOLERANCE UNLESS OTHERWISE NOTED		APPRO					

CFE 东莞市川富电子有限公司
CFE CORPORATION CO.,LTD.

ECN(DCN) NO.	REV	DATE	DESCRIPTION	CHANGE	APPRO
	D0	2012.03.06	NEW		