

Note:

Materials:

.Plunger: Brass 0.5um Au over Ni

.Barrel: Brass 0.5um Au over Ni

.Spring: SUS surface treatment

.Bead: Zirconia ceramics

Mechanical:

.Contact force: 300g±20% at 1.0mm working stroke

.Full stroke: 1.5mm

.Life test: 20,000 cycles

Electrical:

.Rated current & voltage: DC 24V; 8.0A

.Contact resistance: 50 milliohm Max.

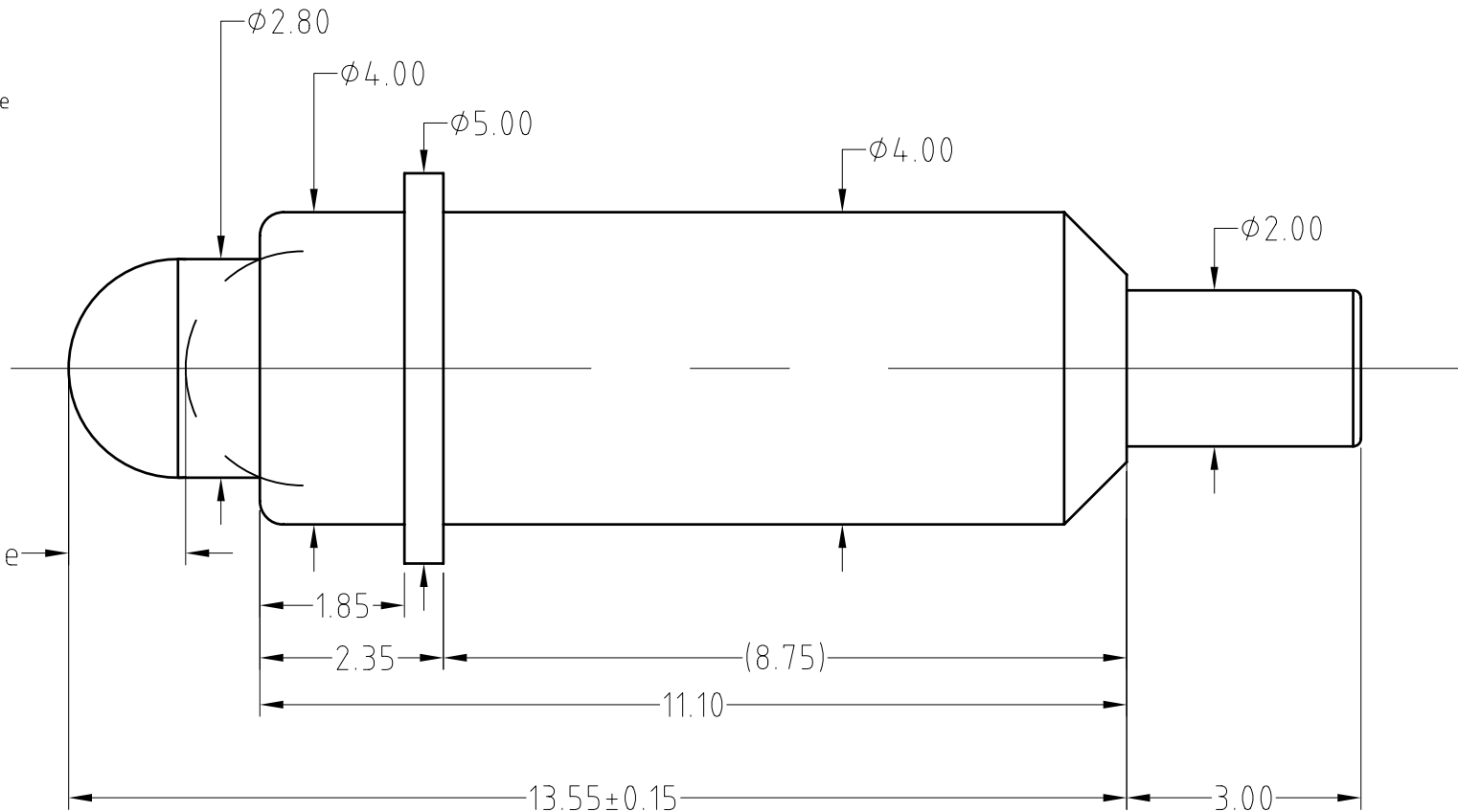
专利号: ZL2013 2 0593587.2

To ensure the best usage, please operate it based on the working height.  
Based on the engineering drawings, shall not exceed the maximum allowed compression.

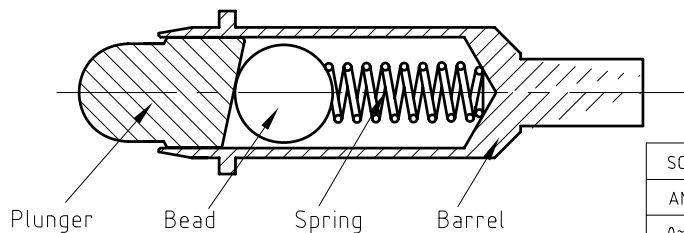


Approve Sign

1.50 Full stroke



BOM		
Part	NO.	Qty
Plunger	B181-P3020	1
Barrel	B181-B2020	1
Spring	B181-S3001	1
Bead	B181-T3000	1



SCALE	10:1	UNIT:mm	THIS DOCUMENT IS THE SOLE PROPERTY OF CFE CORPORATION CO.,LTD., AND SHOULD NOT BE USED IN WHOLE OR IN PART WITHOUT PRIOR WRITTEN PERMISSION.	东莞市川富电子有限公司 CFE CORPORATION CO.,LTD.	
ANGEL	±1°	A4			
0~6	±0.05		SHEET: 1 of 1	PART NO.	BP18103
6~30	±0.10	DRAW		FILE NAME	BP181XX
30~150	±0.15	CHECK		TITLE.	Pogo pin connector
GENERAL TOLERANCE UNLESS OTHERWISE NOTED		APPRO			

ECN(DCN) NO.	REV	DATE	DESCRIPTION
	D1	2016.08.01	增加尾巴
	D0	2016.07.20	NEW