

1

2

3

4

Note:

Materials:

.Plunger: Brass 10u" Au over Ni

.Barrel: Brass 10u" Au over Ni

.Spring: SUS surface treatment

Mechanical:

.Contact force: 110g±20% at 4.50mm working height

.Life test: 20,000 cycles

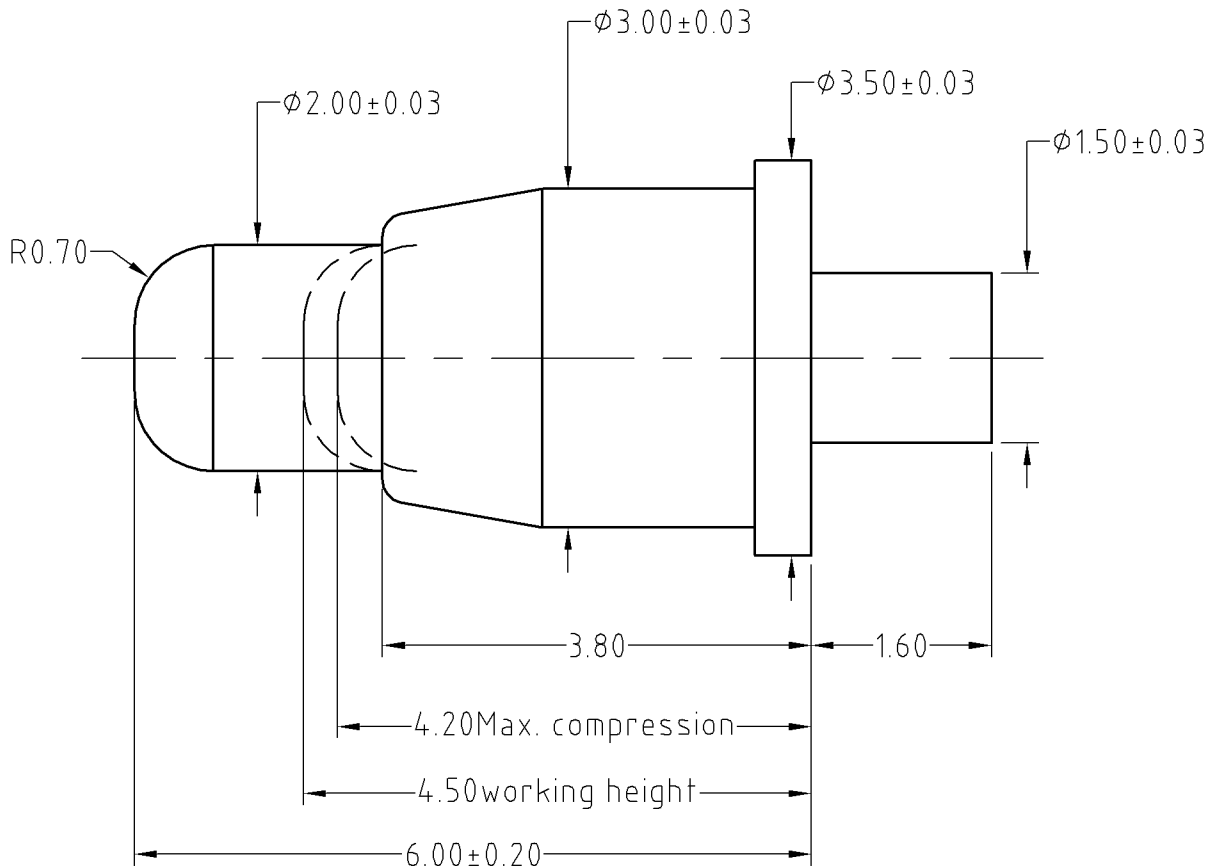
Electrical:

.Rated current & voltage: DC 12V; 1A Max.

.Contact resistance: 50 milliohm Max.

Cannot be used as the charging,

To ensure the best usage, please operate it based on the working height.
Based on the engineering drawings, shall not exceed the maximum allowed compression.



Approve Sign

Signature box

SCALE	10:1	UNIT:mm	THIS DOCUMENT IS THE SOLE PROPERTY OF CFE CORPORATION CO.,LTD., AND SHOULD NOT BE USED IN WHOLE OR IN PART WITHOUT PRIOR WRITTEN PERMISSION.	
ANGEL	±1°	A4	SHEET: 1 of 1	
0~6	±0.05		PART NO. BP21401	
6~30	±0.10	DRAW	FILE NAME BP214XX	
30~150	±0.15	CHECK	TITLE. Pogo pin connector	
GENERAL TOLERANCE UNLESS OTHERWISE NOTED		APPRO		



_____	D0	2013.05.30	NEW
ECN(DCN) NO.	REV	DATE	DESCRIPTION