

1

2

3

4

Note:

Materials:

.Plunger: Brass 0.125um Au over Ni.

.Spring: SUS surface treatment

.Barrel: Brass 0.125um Au over Ni.

Mechanical:

.Contact force: 30g±20g at 1.0mm working stroke

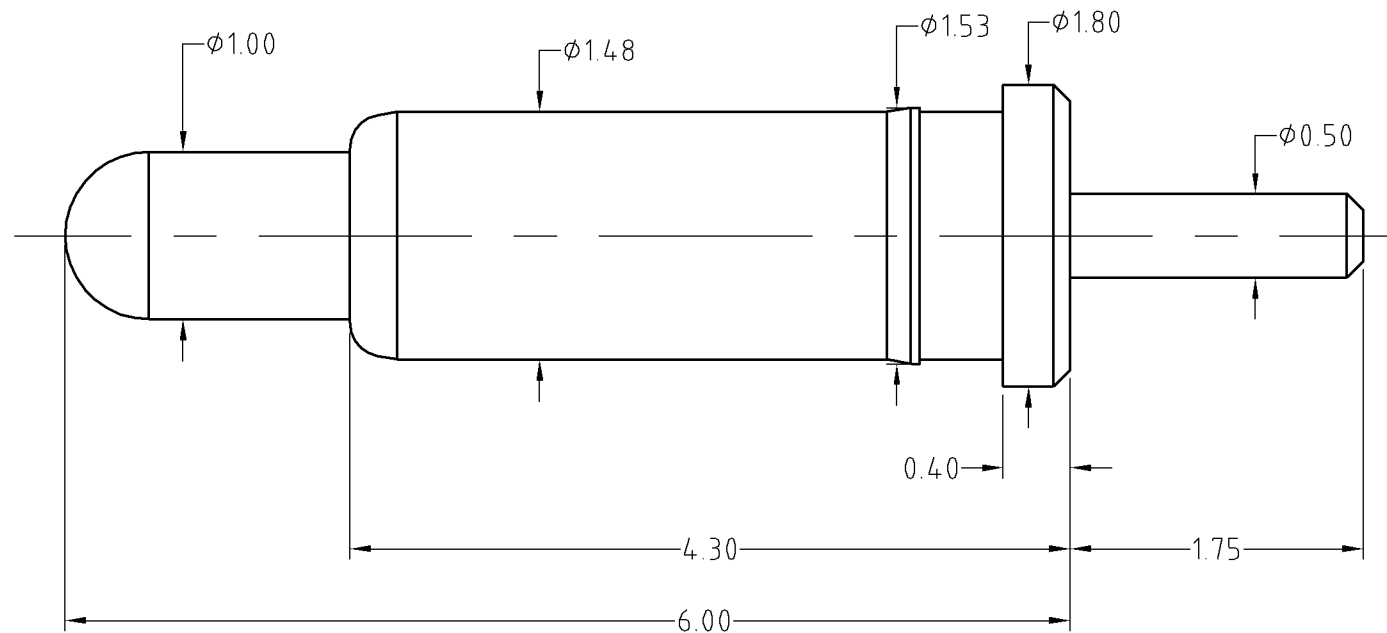
.Full stroke: 1.40mm

.Life test: 50,000 cycles

Electrical:

.Rated voltage: DC12V; 1A Max.

.Contact resistance: 50 milliohm Max.



| BOM     |            |     |
|---------|------------|-----|
| Part    | NO.        | Qty |
| Plunger | M210-P2005 | 1   |
| Barrel  | M210-B1005 | 1   |
| Spring  | B230-S2001 | 1   |

|  |       |         |  |  |
|--|-------|---------|--|--|
| SCALE                                    | 10:1  | UNIT:mm | THIS DOCUMENT IS THE SOLE PROPERTY OF CFE CORPORATION CO.,LTD., AND SHOULD NOT BE USED IN WHOLE OR IN PART WITHOUT PRIOR WRITTEN PERMISSION. | <b>CFE</b> 东莞市川富电子有限公司<br>CFE CORPORATION CO.,LTD. |
| ANGEL                                    | ±1°   | A4      |  |  |
| 0-6                                      | ±0.05 |         | SHEET: 1 of 1  |  |
| 6-30                                     | ±0.10 | DRAW    |  | PART NO. BP23021                                   |
| 30-150                                   | ±0.15 | CHECK   |  | FILE NAME BP230XX                                  |
| GENERAL TOLERANCE UNLESS OTHERWISE NOTED |       | APPRO   |  | TITLE. Pogo pin connector                          |

| ECN(DCN) NO. | REV | DATE       | DESCRIPTION |
|--------------|-----|------------|-------------|
|              | D0  | 2015.10.29 | NEW         |