

1

2

3

4

Note:

Materials:

.Plunger: Brass Au 0.125 um over Ni.

.Spring: SUS Au 0.025 um.

.Barrel: Brass Au 0.125 um over Ni.

Mechanical:

.Contact force: 70g±20g at 1.0mm working stroke

.Full stroke: 1.40mm

.Life test: 50,000 cycles

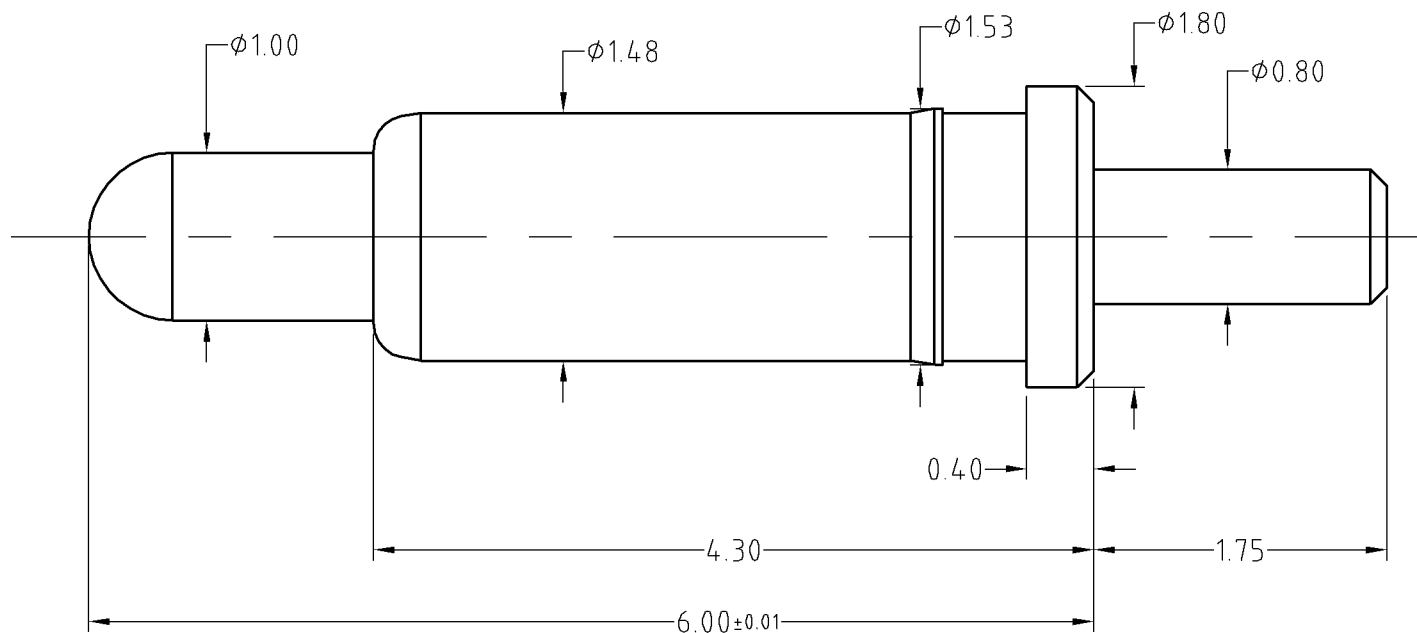
Electrical:

.Rated current &amp; voltage: DC12V; 3A Max.

.Contact resistance: 50 milliohm Max.

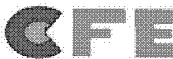



Approve Sign



BOM

Part	NO.	Qty
Plunger	B265-B1005	1
Barrel	M200-P1005	1
Spring	M200-S1001	1

SCALE	10:1	UNIT:mm	THIS DOCUMENT IS THE SOLE PROPERTY OF CFE CORPORATION CO.,LTD., AND SHOULD NOT BE USED IN WHOLE OR IN PART WITHOUT PRIOR WRITTEN PERMISSION.	 <b>东莞市川富电子有限公司</b> CFE CORPORATION CO.,LTD.	
ANGEL	±1°	A4			
0-6	±0.05		SHEET: 1 of 1	PART NO.	BP26511
6-30	±0.10	DRAW		FILE NAME	BP265XX
30-150	±0.15	CHECK		TITLE	Pogo pin connector
GENERAL TOLERANCE UNLESS OTHERWISE NOTED		APPRO			

_____	D1	2015.06.12	NEW
ECN(DCN) NO.	REV	DATE	DESCRIPTION