

1

2

3

4

Note:

Materials:

.Plunger: Brass 0.5um Au over Ni

.Barrel: Brass 0.5um Au over Ni

.Spring: SUS surface treatment

Mechanical:

.Contact force: 96g±20g at 11.50 working height

.Max. compression: 10.50mm

.Life test: 100,000 cycles

Electrical:

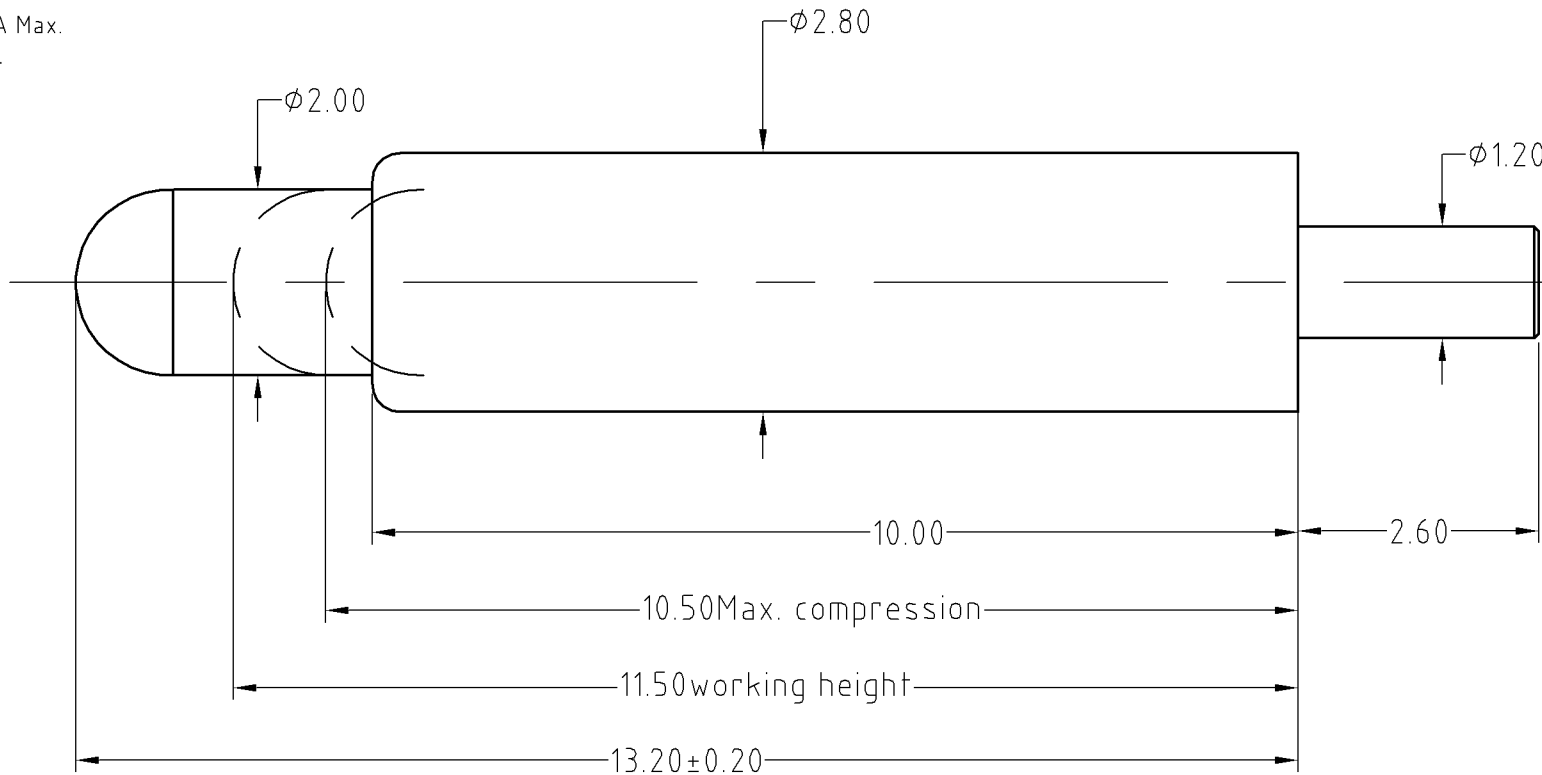
.Rated current & voltage: DC 12V; 2A Max.

.Contact resistance: 50 milliohm Max.

To ensure the best usage, please operate it based on the working height.
Based on the engineering drawings, shall not exceed the maximum allowed compression.



Approve Sign



ECN(DCN) NO.	A0	2014.11.26	NEW
REV	DATE	DESCRIPTION	

SCALE	10:1	UNIT:mm	THIS DOCUMENT IS THE SOLE PROPERTY OF CFE CORPORATION CO.,LTD., AND SHOULD NOT BE USED IN WHOLE OR IN PART WITHOUT PRIOR WRITTEN PERMISSION.		CFE 东莞市川富电子有限公司 CFE CORPORATION CO.,LTD.	
ANGEL	$\pm 1^\circ$	A4	SHEET: 1 of 1			
0~6	± 0.05				PART NO.	BP27211
6~30	± 0.10	DRAW			FILE NAME	BP272XX
30~150	± 0.15	CHECK			TITLE.	Pagoda pin connector
GENERAL TOLERANCE UNLESS OTHERWISE NOTED		APPRO				