

1

2

3

4

Note:

Materials: To ensure the best usage, please operate it based on the working height.
Based on the engineering drawings, shall not exceed the maximum allowed compression.

.Plunger: Brass 0.125um Au over Ni

.Barrel: Brass 0.125um Au over Ni

.Spring: SUS surface treatment

Mechanical:

.Contact force: 80g±20g at 0.8mm working stroke

.Full stroke: 1.0mm

.Life test: 20,000 cycles

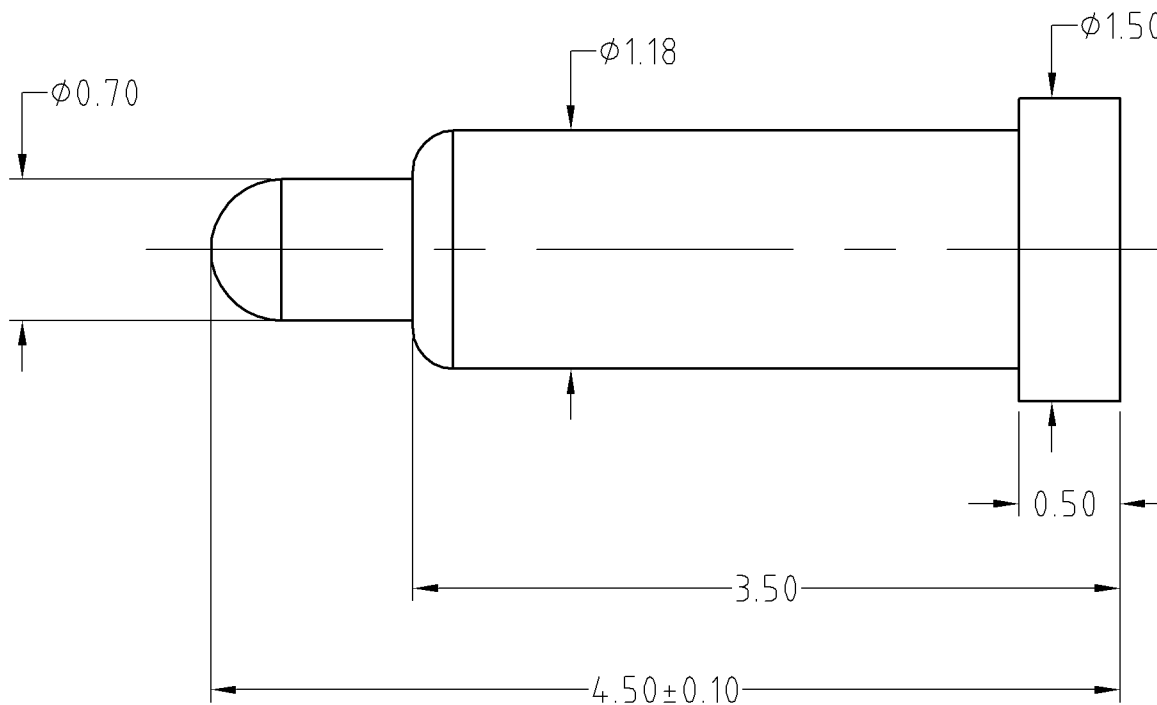
Electrical:

.Rated current & voltage: DC 12V; 1A

.Contact resistance: 50 milliohm Max.



Approve Sign



SCALE	10:1	UNIT:mm	THIS DOCUMENT IS THE SOLE PROPERTY OF CFE CORPORATION CO.,LTD., AND SHOULD NOT BE USED IN WHOLE OR IN PART WITHOUT PRIOR WRITTEN PERMISSION.	
ANGEL	±1°	A4	SHEET: 1 of 1	
0~6	±0.10		PART NO. BP38621	
6~30	±0.15	DRAW	FILE NAME BP386XX	
30~150	±0.20	CHECK	TITLE. Pogo pin connector	
GENERAL TOLERANCE UNLESS OTHERWISE NOTED		APPRO		

CFE 东莞市川富电子有限公司
CFE CORPORATION CO.,LTD.

_____	D0	2015.03.10	NEW
ECN(DCN) NO.	REV	DATE	DESCRIPTION