

Note:

Materials:

- .Insulator: Black high temperature plastics UI94 V-0
- .Plunger: Brass 0.075um Au over Ni
- .Barrel: Brass 0.075um Au over Ni
- .Spring: SUS 304 surface treatment

Mechanical:

- .Contact force: 100g±20% at 7.0mm working height
- .Max. compression: 6.5mm
- .Life test: 30,000 cycles

Electrical:

- .Rated current & voltage: DC 12V; 1A
- .Contact resistance: 50 milliohm Max.

To ensure the best usage, please operate it based on the working height.
Based on the engineering drawings, shall not exceed the maximum allowed compression.

A

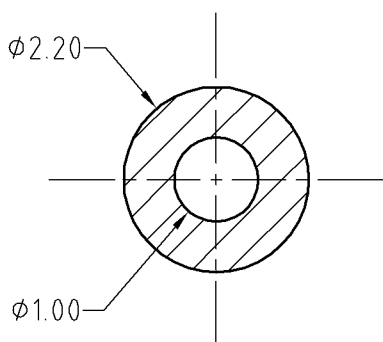
B

C

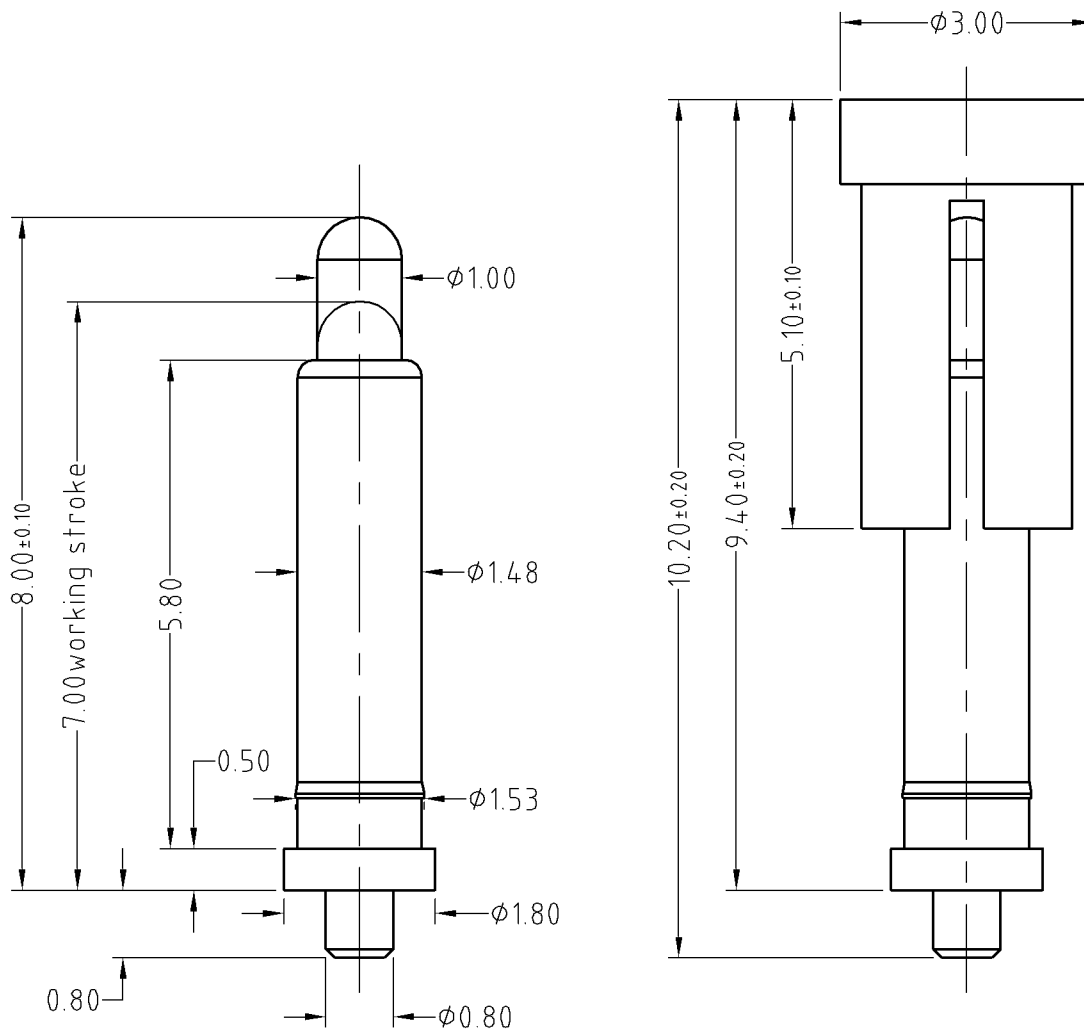
D



BOM		
Part	NO.	Qty
Pogo pin	BP39411	1
Cap	01000-C02	1



Recommended pcb layout
layout tolerance: ±0.05mm



SCALE	10:1	UNIT:mm	THIS DOCUMENT IS THE SOLE PROPERTY OF CFE CORPORATION CO.,LTD., AND SHOULD NOT BE USED IN WHOLE OR IN PART WITHOUT PRIOR WRITTEN PERMISSION.	CFE 东莞市川富电子有限公司 CFE CORPORATION CO.,LTD.	
ANGEL	±1°	A4			
0~6	±0.05		SHEET: 1 of 1	PART NO.	BP394.11-0100001A
6~30	±0.10	DRAW		FILE NAME	BP394.XX
30~150	±0.15	CHECK		TITLE	Pogo pin Connector
GENERAL TOLERANCE UNLESS OTHERWISE NOTED		APPRO			

ECN(DCN) NO.	REV	DATE	DESCRIPTION
	A0	2015.05.30	NEW