

Note:

Materials:

- .Plunger: Brass 0.25um Au over Ni
- .Barrel: Brass 0.25um Au over Ni
- .Spring: SUS 304 surface treatment

Mechanical:

- .Contact force: 10g±5g at 0.6mm working stroke.
- .Full stroke: 1.0mm
- .Life test: 20,000 cycles

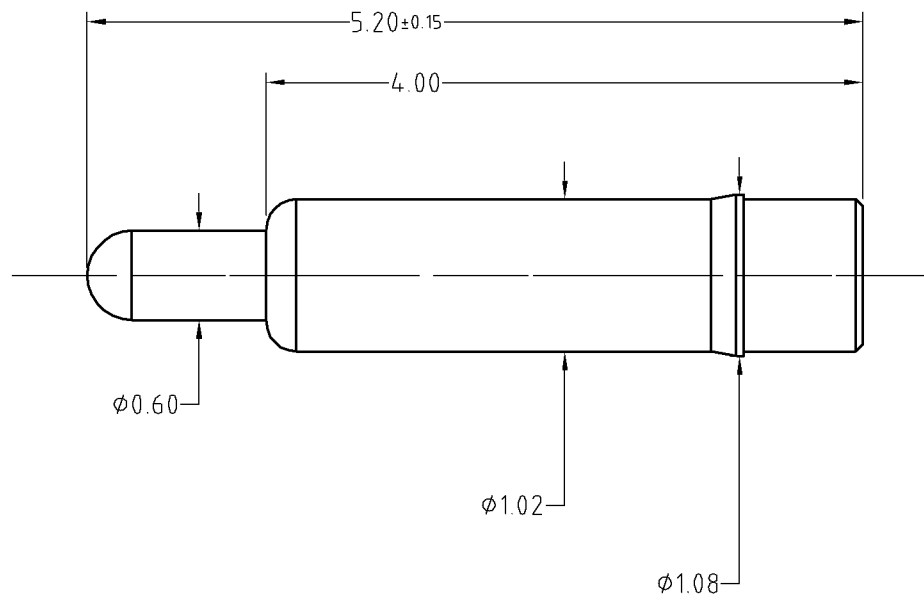
Electrical:

- .Rated current & voltage: DC 12V; 1A
- .Contact resistance: 50 milliohm Max.
- . Cannot be used as the charging

To ensure the best usage, please operate it based on the working height.  
Based on the engineering drawings, shall not exceed the maximum allowed compression.



Approve Sign



BOM

Part	NO.	Qty
Plunger	B430-B2010	1
Barrel	B430-P1010	1
Spring	B430-S2001	1

SCALE	10:1	UNIT:mm	THIS DOCUMENT IS THE SOLE PROPERTY OF CFE CORPORATION CO.,LTD., AND SHOULD NOT BE USED IN WHOLE OR IN PART WITHOUT PRIOR WRITTEN PERMISSION.	SHEET: 1 of 1	PART NO.	BP43021
ANGEL	±1°	A4				
0-6	±0.05				FILE NAME	BP430XX
6-30	±0.10	DRAW			TITLE	Pogo pin connector
30-150	±0.15	CHECK				
GENERAL TOLERANCE UNLESS OTHERWISE NOTED		APPRO				

**CFE** 东莞市川富电子有限公司  
CFE CORPORATION CO.,LTD.

ECN(DCN) NO.	REV	DATE	DESCRIPTION
	A0	2015.06.30	NEW