

Note:

Materials:

- .Plunger: Brass 0.25um Au over Ni
- .Barrel: Brass 0.25um Au over Ni
- .Spring: SUS 304 surface treatment

Mechanical:

- .Contact force: 40g±20g at 0.9mm working stroke.
- .Full stroke: 1.0mm
- .Life test: 20,000 cycles

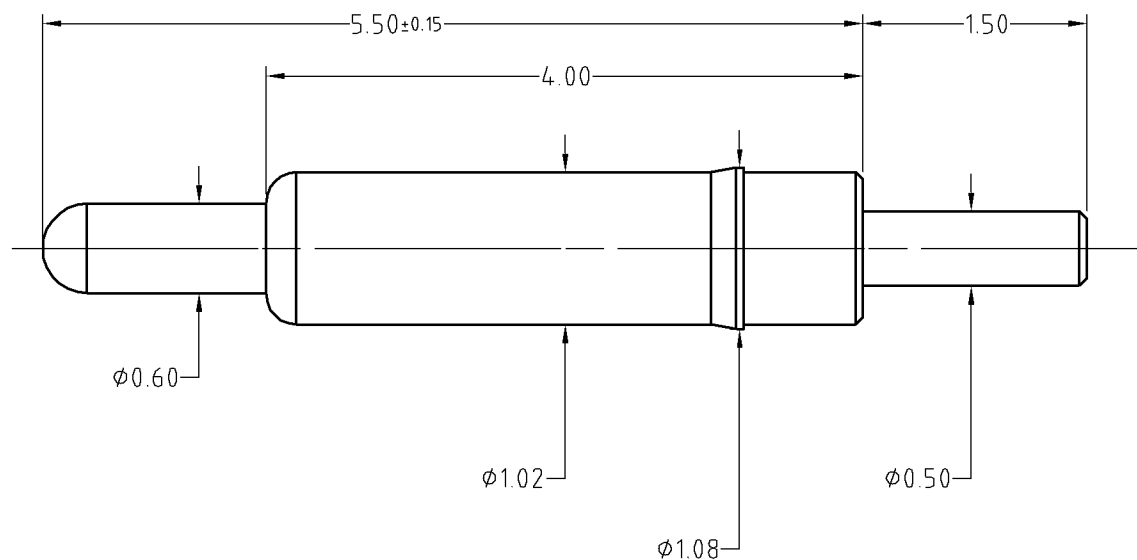
Electrical:

- .Rated current & voltage: DC 12V; 2A
- .Contact resistance: 50 milliohm Max.

To ensure the best usage, please operate it based on the working height.  
Based on the engineering drawings, shall not exceed the maximum allowed compression.



Approve Sign



BOM

Part	NO.	Qty
Plunger	B430-B1010	1
Barrel	B430-P2010	1
Spring	B430-S3001	1

SCALE	10:1	UNIT:mm	THIS DOCUMENT IS THE SOLE PROPERTY OF CFE CORPORATION CO.,LTD., AND SHOULD NOT BE USED IN WHOLE OR IN PART WITHOUT PRIOR WRITTEN PERMISSION.	<b>CFE</b> 东莞市川富电子有限公司 CFE CORPORATION CO.,LTD.
ANGEL	±1°	A4		
0-6	±0.05		SHEET: 1 of 1	
6-30	±0.10	DRAW		PART NO. BP43031
30-150	±0.15	CHECK		FILE NAME BP430XX
GENERAL TOLERANCE UNLESS OTHERWISE NOTED		APPRO		TITLE. Pogo pin connector

_____	T0	2015.07.14	NEW
_____	A0	2015.06.30	NEW
ECN(DCN) NO.	REV	DATE	DESCRIPTION