

1

2

3

4

Note:

Materials:

.Plunger: Brass 0.125um Au over Ni.

.Spring: SUS surface treatment

.Barrel: Brass 0.125um Au over Ni.

Mechanical:

.Contact force: 40g±20g at 1.0mm working stroke

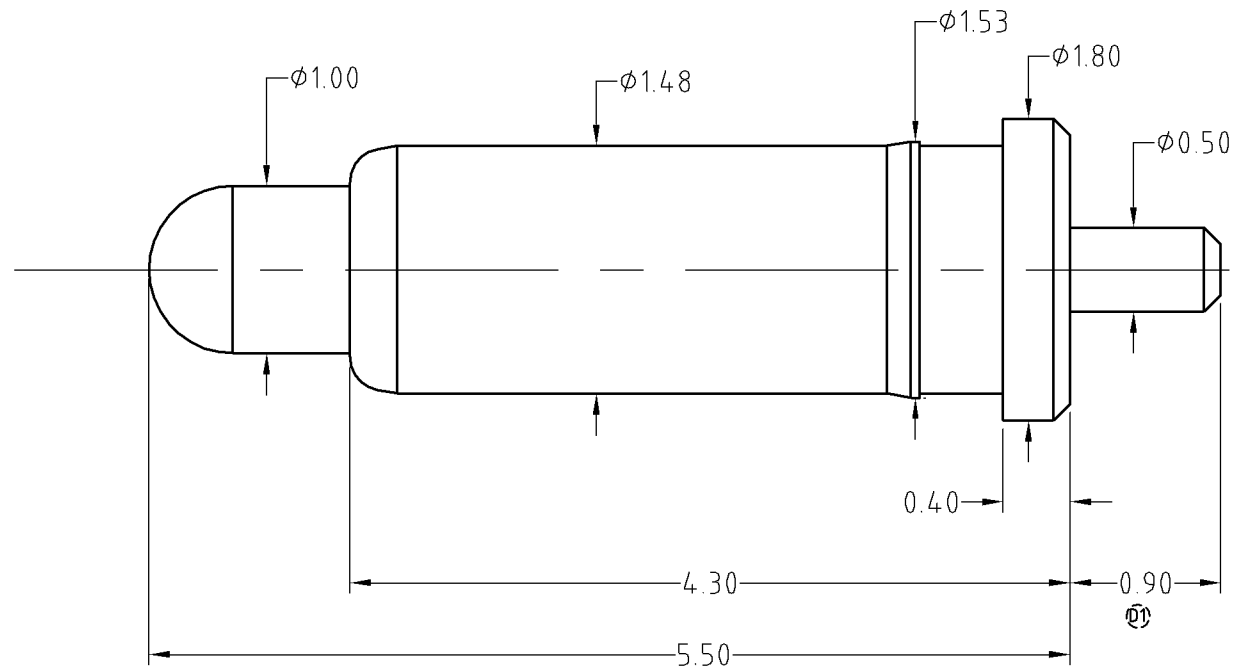
.Full stroke: 1.40mm

.Life test: 50,000 cycles

Electrical:

.Rated voltage: DC12V; 1A Max.

.Contact resistance: 50 milliohm Max.



BOM		
Part	NO.	Qty
Plunger	M200-P1005	1
Barrel	B463-B1005	1
Spring	B230-S1001	1



_____	D1	2015.07.23	修改针管尾巴长度&BOM表
_____	D0	2015.07.04	NEW
ECN(DCN) NO.	REV	DATE	DESCRIPTION

SCALE	10:1	UNIT:mm	THIS DOCUMENT IS THE SOLE PROPERTY OF CFE CORPORATION CO.,LTD., AND SHOULD NOT BE USED IN WHOLE OR IN PART WITHOUT PRIOR WRITTEN PERMISSION.	东莞市川富电子有限公司 CFE CORPORATION CO.,LTD.
ANGEL	±1°	A4		
0-6	±0.05		SHEET: 1 of 1	
6-30	±0.10	DRAW		PART NO. BP46311
30-150	±0.15	CHECK		FILE NAME BP463XX
GENERAL TOLERANCE UNLESS OTHERWISE NOTED	APPRO			TITLE. Pogo pin connector