

Note:

Materials:

Plunger: Brass 0.125um Au over Ni

Barrel: Brass 0.125um Au over Ni

Spring: SUS surface treatment

Mechanical:

Contact force: 95g±20g at 1.0mm working stroke

Full stroke: 2.4mm

Life test: 20,000 cycles

Electrical:

Rated current & voltage: DC 12V; 1A MAX

Contact resistance: 50 milliohm Max.

Cannot be used as the charging,

To ensure the best usage, please operate it based on the working height.  
Based on the engineering drawings, shall not exceed the maximum allowed compression.

A

B

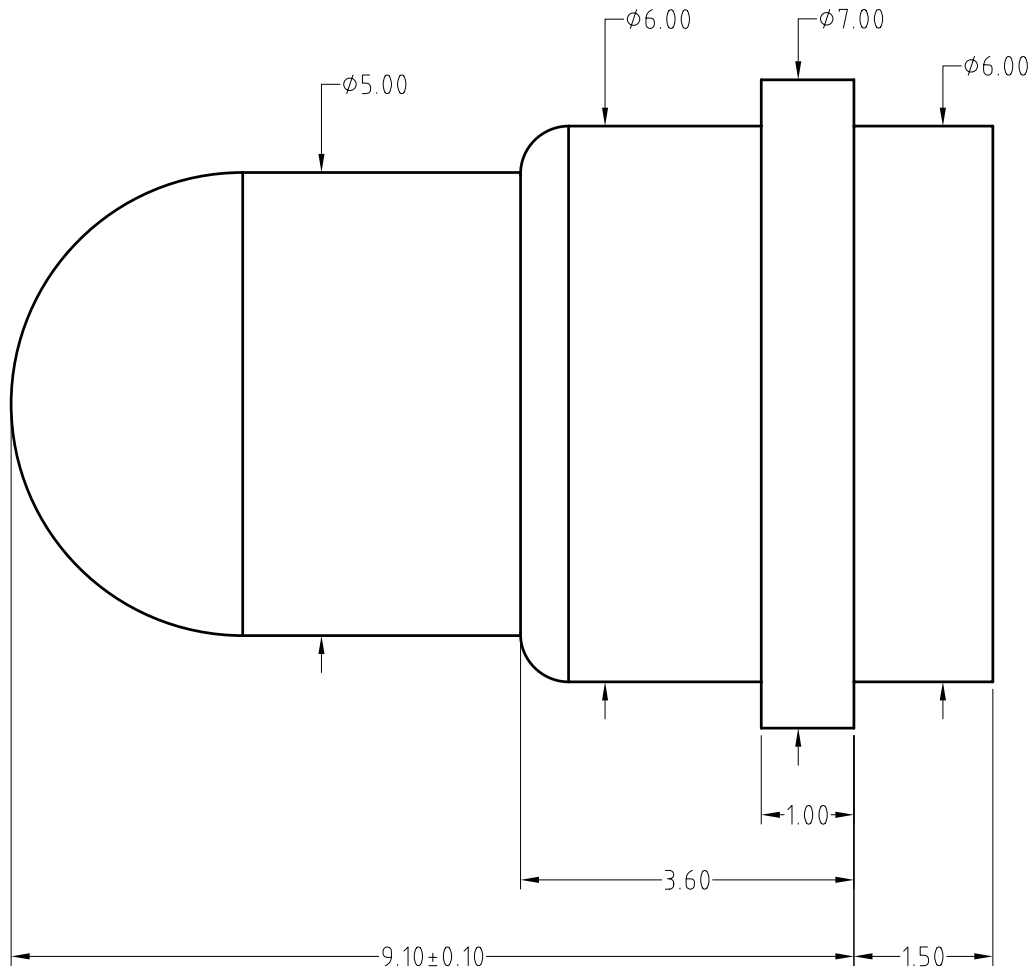
C

D



Approve  
Sign

BOM		
Part	NO.	Qty
Plunger	B302-P2005	1
Barrel	B302-B1005	1
Spring	B302-S1001	1



SCALE	10:1	UNIT:mm	THIS DOCUMENT IS THE SOLE PROPERTY OF CFE CORPORATION CO.,LTD., AND SHOULD NOT BE USED IN WHOLE OR IN PART WITHOUT PRIOR WRITTEN PERMISSION.
ANGEL	±1°	A4	
0~6	±0.05		
6~30	±0.10	DRAW	
30~150	±0.15	CHECK	
GENERAL TOLERANCE UNLESS OTHERWISE NOTED		APPRO	



PART NO. BP30221

FILE NAME BP302XX

TITLE. Pogo pin connector

ECN(DCN) NO.	A0	2016.01.29	NEW
REV	DATE	DESCRIPTION	