

Note:

Materials:

.Plunger: Brass 0.375um Au over Ni

.Barrel: Brass 0.375um Au over Ni

.Spring: SUS Au

Mechanical:

.Contact force: 100g±20g at 1.4mm working stroke

.Full stroke: 1.7mm

.Life test: 20,000 cycles

Electrical:

.Rated current & voltage: DC 12V; 1A Max.

.Contact resistance: 50 milliohm Max.

To ensure the best usage, please operate it based on the working height.
Based on the engineering drawings, shall not exceed the maximum allowed compression.

A

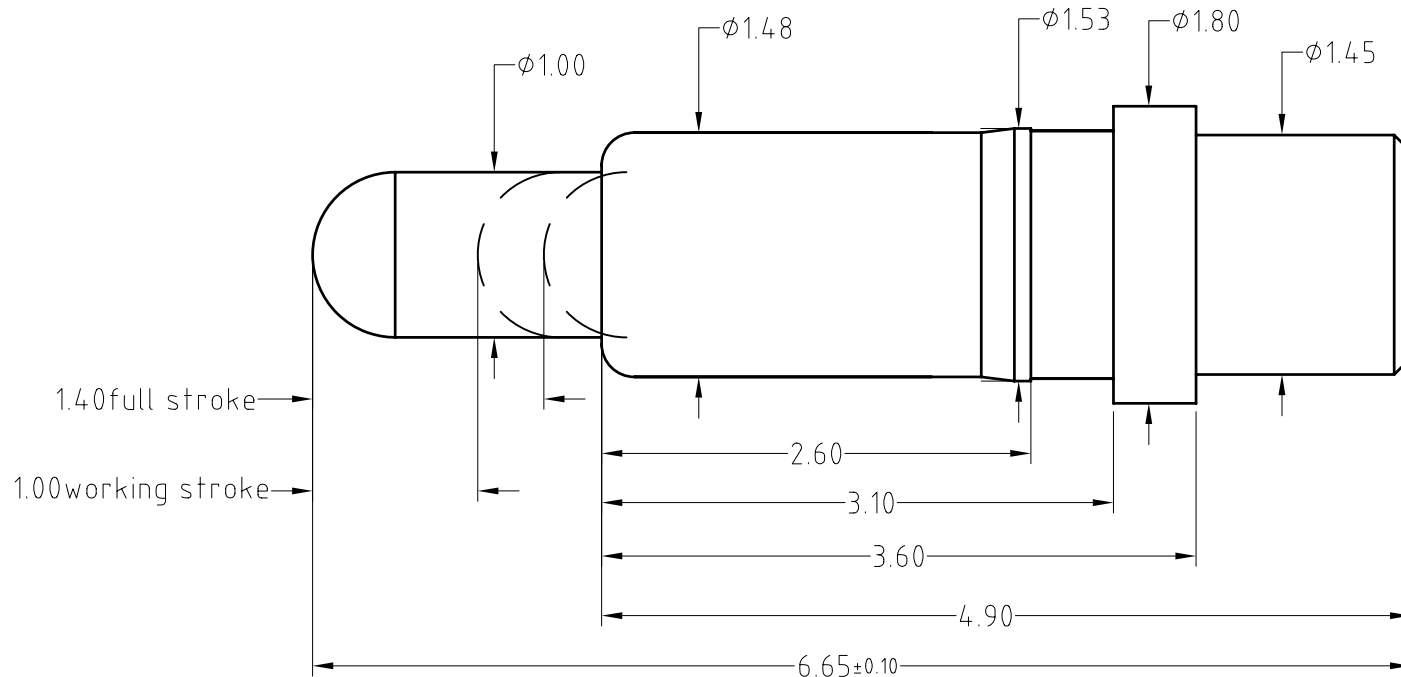
B

C

D



Approve Sign



BOM		
Part	NO.	Qty
Plunger	M200-P2015	1
Barrel	B513-B4015	1
Spring	B513-S4001	1

SCALE	10:1	UNIT:mm	THIS DOCUMENT IS THE SOLE PROPERTY OF CFE CORPORATION CO.,LTD., AND SHOULD NOT BE USED IN WHOLE OR IN PART WITHOUT PRIOR WRITTEN PERMISSION.	SHEET: 1 of 1	PART NO.	BP51341
ANGEL	$\pm 1^\circ$	A4				
0~6	± 0.05				FILE NAME	BP513XX
6~30	± 0.10	DRAW			TITLE.	Pogo pin connector
30~150	± 0.15	CHECK				
GENERAL TOLERANCE UNLESS OTHERWISE NOTED		APPRO				



ECN(DCN) NO.	REV	DATE	DESCRIPTION
	A0	2016.02.19	NEW