

1

2

3

4

Note:

Materials:

.Plunger: Brass 0.25um Au over Ni.

.Spring: SUS surface treatment

.Barrel: Brass 0.25um Au over Ni.

Mechanical:

.Contact force: 30g±20g at 1.0mm working stroke

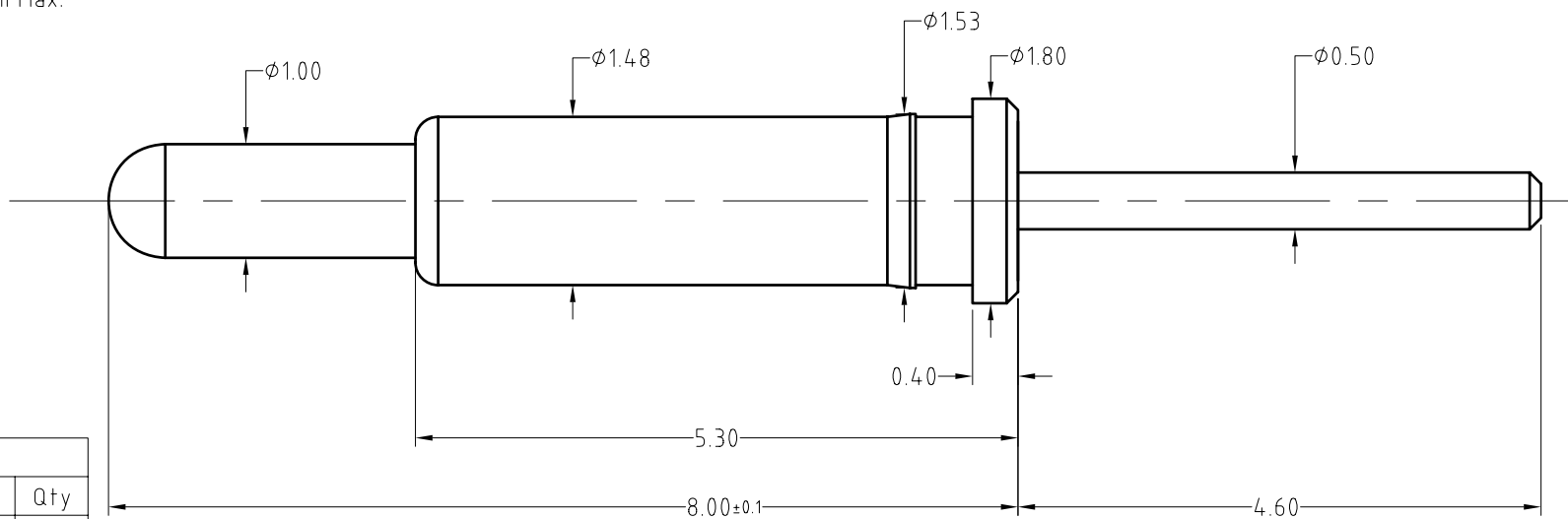
.Full stroke: 1.4mm

.Life test: 50,000 cycles

Electrical:

.Rated current &amp; voltage: DC12V; 1A Max.

.Contact resistance: 50 milliohm Max.



BOM

Part	NO.	Qty
Plunger	M200-P4010	1
Barrel	M310-B2010	1
Spring	B524-S1001	1

SCALE	10:1	UNIT:mm	THIS DOCUMENT IS THE SOLE PROPERTY OF CFE CORPORATION CO.,LTD., AND SHOULD NOT BE USED IN WHOLE OR IN PART WITHOUT PRIOR WRITTEN PERMISSION.
ANGEL	±1°	A4	
0~6	±0.05		SHEET: 1 of 1
6~30	±0.10	DRAW	
30~150	±0.15	CHECK	
GENERAL TOLERANCE UNLESS OTHERWISE NOTED		APPRO	

**CFE** 东莞市川富电子有限公司  
CFE CORPORATION CO.,LTD.

PART NO. BP52411

FILE NAME BP524XX

TITLE. Pogo pin connector

A0

2016.03.25

NEW

ECN(DCN) NO.

REV

DATE

DESCRIPTION