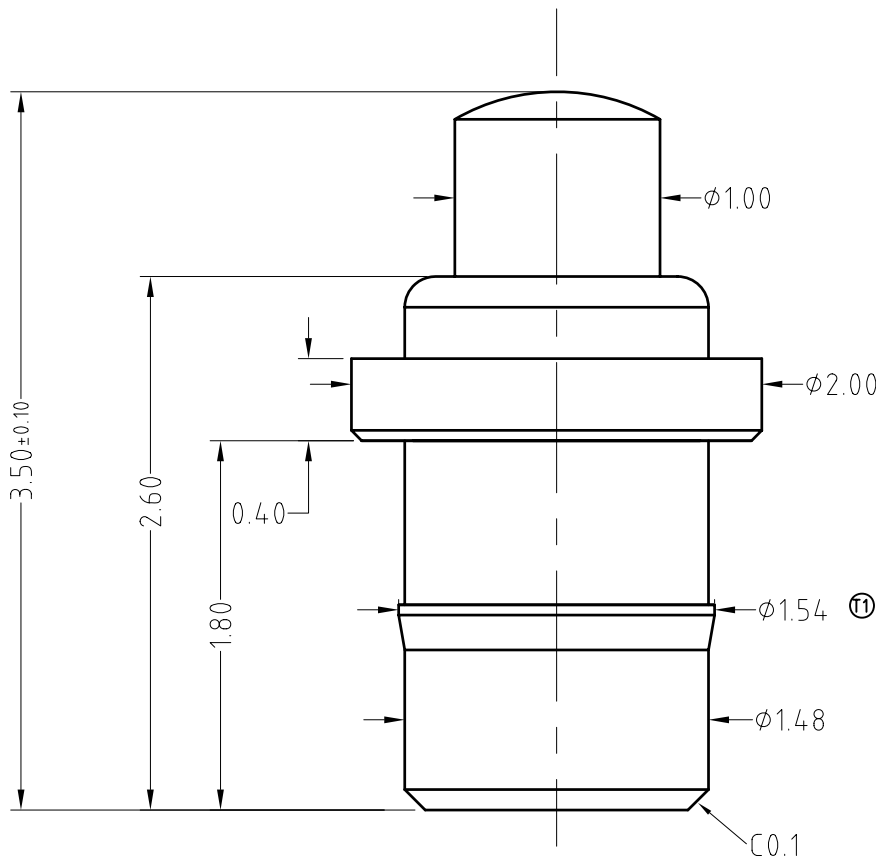


Note:
 Materials:
 .Plunger: Brass 0.25um Au over Ni
 .Barrel: Brass 0.25um Au over Ni
 .Spring: SUS 304 surface treatment
 Mechanical:
 .Contact force: 40g±20gat 0.6mm working stroke.
 .Max. stroke: 0.9mm
 .Life test: 20,000 cycles
 Electrical:

.Rated current & voltage: DC 12V; 1A
 .Contact resistance: 50 milliohm Max.
 测试: 1.碱性人汗: 100毫升无矿物质水, 5克氯化钠, 5克磷酸氢二钠, 检查并调整PH值为9.5;
 2.酸性人汗: 碱性人汗液体加入约2毫升浓度99%的醋酸, 检查并调整PH值为4.7;
 最少样品数量: 7pcs, 每种汗液3pcs, 1PCS对比。
 测试时间: 48小时



Approve Sign



BOM		
Part	NO.	Qty
Plunger	M601-P5010	1
Barrel	B532-B1010	1
Spring	B532-S1001	1

ECN(DCN) NO.	REV	DATE	DESCRIPTION
	T1	2016.02.18	修改外形尺寸
	A0	2015.12.05	NEW

SCALE	10:1	UNIT:mm	THIS DOCUMENT IS THE SOLE PROPERTY OF CFE CORPORATION CO.,LTD., AND SHOULD NOT BE USED IN WHOLE OR IN PART WITHOUT PRIOR WRITTEN PERMISSION.
ANGEL	±1°	A4	
0~6	±0.05		
6~30	±0.10	DRAW	SHEET: 1 of 1
30~150	±0.15	CHECK	
GENERAL TOLERANCE UNLESS OTHERWISE NOTED		APPRO	



PART NO.	BP53211
FILE NAME	BP532XX
TITLE.	Pogo pin connector