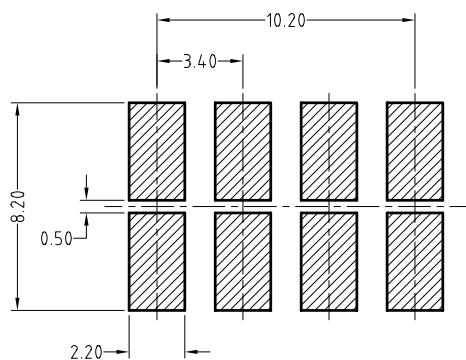
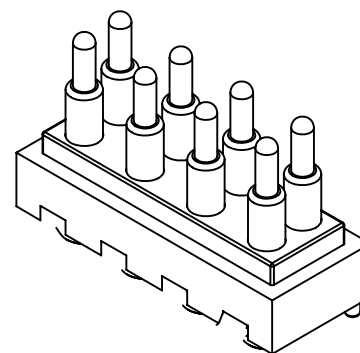
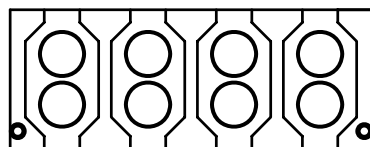
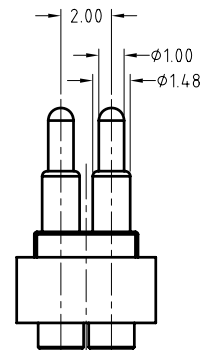
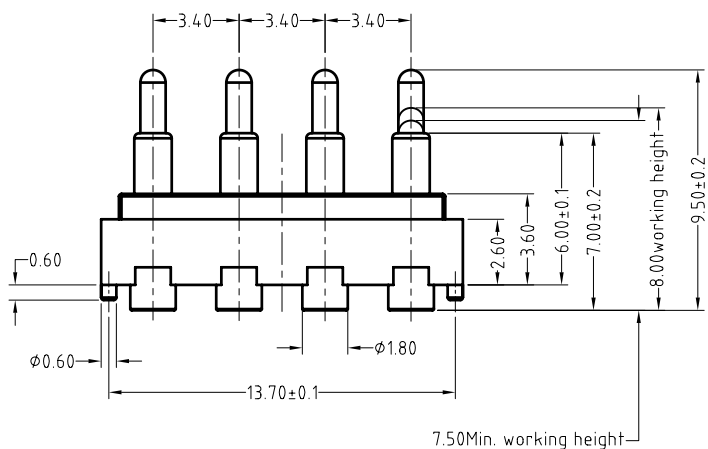
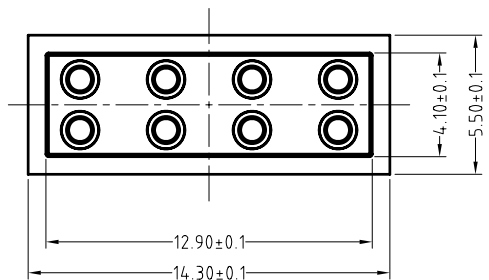


Note:
 Materials:
 .Insulator: Black high temperature plastics UI94 V-0
 .Plunger: Brass 0.25um Au over Ni
 .Barrel: Brass 0.125um Au over Ni
 .Spring: SUS 304
 Mechanical:
 .Contact force: 125g±25g at 8.0mm working height
 .Life test: 20,000 cycles
 Electrical:
 .Rated current & voltage: DC 12V; 2A Max.
 .Contact resistance: 50 milliohm Max.

To ensure the best usage, please operate it based on the working height.
 Based on the engineering drawings, shall not exceed the maximum allowed compression.



Pcb layout
 Layout tolerance: ±0.05mm



Approve Sign

BOM		
Part	NO.	Qty
Pogo pin	BF12891	8
Housing	08200-H01	1

SCALE	10:1	UNIT:mm	THIS DOCUMENT IS THE SOLE PROPERTY OF CFE CORPORATION CO.,LTD., AND SHOULD NOT BE USED IN WHOLE OR IN PART WITHOUT PRIOR WRITTEN PERMISSION.
ANGEL	±1°	A4	
0~6	±0.05		SHEET: 1 of 1
6~30	±0.10	DRAW	
30~150	±0.15	CHECK	
GENERAL TOLERANCE UNLESS OTHERWISE NOTED		APPRO	

CFE 东莞市川富电子有限公司
 CFE CORPORATION CO.,LTD.

PART NO. BF12821-08200H0A

FILE NAME BF12811

TITLE. Pogo pin connector

ECN(DCN) NO.	REV	DATE	DESCRIPTION
	A0	2015.10.06	NEW