

**Mechanical performance:**<机械性能>

- .Single pin Contact force: 60g±20g at 1.40mm working stroke  
<接触弹力: 60g±20g在1.4mm的工作行程>
- .Full stroke: 1.60mm  
<最大行程: 1.60mm>
- .Life test: 50,000 cycles  
<寿命: 50000次>

**Electrical performance:**<电气性能>

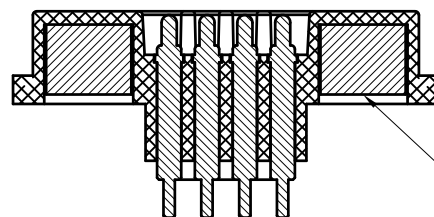
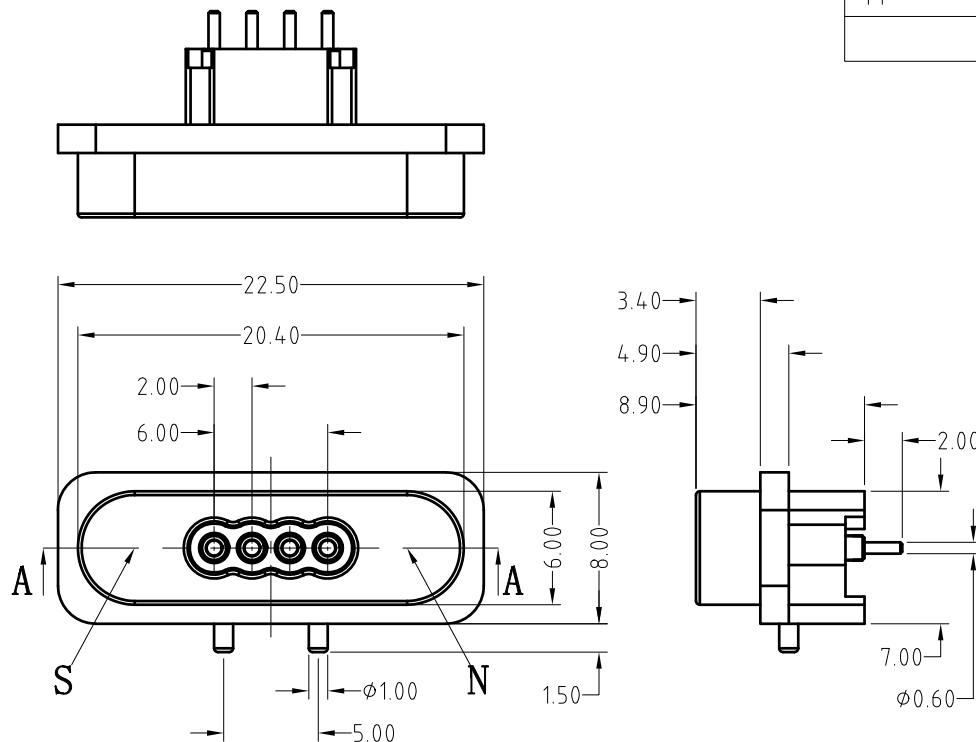
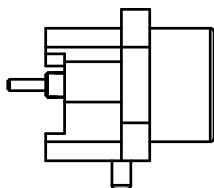
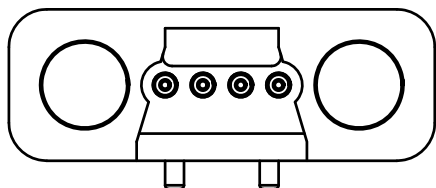
- .Rated current & voltage: DC 12V, 1A .  
<额定电压, 电流: DC 12V, 1A>
- .Single pin Contact resistance: 30 milliohm Max.  
<单pin接触阻抗: 30 milliohm Max.>
- .When the current is greater than 1A then need to increase the time delay circuit(3 second)  
<当电流大于1A时, 则需要增加延时电路(3秒)>
- 100% open & short test.  
<100%导通, 短路测试>

**Environment performance:**<环境性能>

- .Operating Temp:-30 to +60℃  
<工作温度: -30 to +60℃>
- .Salt spray:24h  
<盐雾测试: 24小时>

To ensure the best usage, please operate it based on the working height.  
为确保最佳使用, 请根据工作高度进行操作。  
Based on the engineering drawings, shall not exceed the maximum allowed compression  
根据工程图纸, 不应超过允许的最大压缩量。

Approve Sign  
\_\_\_\_\_





截面: A-A

1. 点胶处, 灌密封胶
2. 点胶后, 胶水不能溢出塑胶表面

6	CFE标准包装		
5	淡蓝色 LOVBOND UK8575	LB-UK8575	0.1mL
4	Pogo pin plating 0.125um Au <弹簧针 电镀金0.125um>	BP178311	4
3	N52 NdFeB Magnet plating Ni-Cu-Ni <N52 钕铁硼磁铁 表面镀镍铜镍>	0200167-1000	2
1	White PA66 UL94 V-0 <白色 PA66 UL94 V-0-手板白色-ABS>	0300167-5000	1
序号 <NO.>	规格 <Specification>	料号 <P/N>	数量 <Qty>
<b>4Pin 白色 磁吸式连接器</b>			

ECN(DCN) NO.	D0	2019.02.22	NEW
REV	DATE	DESCRIPTION	

SCALE	10:1	UNIT:mm	THIS DOCUMENT IS THE SOLE PROPERTY OF CFE CORPORATION CO.,LTD., AND SHOULD NOT BE USED IN WHOLE OR IN PART WITHOUT PRIOR WRITTEN PERMISSION.	 <b>CFE</b> ® 弹簧针磁吸连接器解决方案商 Pogo Pin Magnetic Charging Solutions	
ANGEL	±2°	A4			
0~6	±0.10		SHEET: 1 of 1	PART NO.	MMA024901-04A1A0
6~30	±0.20	DRAW		FILE NAME	CXA-0254
30~150	±0.30	CHECK		TITLE.	<b>Magnetic connector/磁吸连接器</b>
GENERAL TOLERANCE UNLESS OTHERWISE NOTED		APPRO			