

Note:

Materials:

Insulator: Black high temperature plastics UI94 V-0

Pin: Brass 0.25um Au over Ni

Copper pipe: Brass plating Ni

Magnet: NdFeB

Electrical:

Rated current & voltage: DC 12V; 3A

Contact resistance: 50 milliohm Max.

专利号: ZL201420146582.X

To ensure the best usage, please operate it based on the working height.

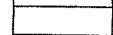
为确保最佳使用, 请根据工作高度进行操作。

Based on the engineering drawings, shall not exceed the maximum allowed compression

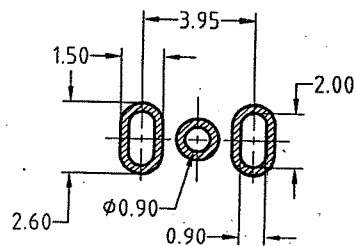
根据工程图纸, 不应超过允许的最大压缩量。



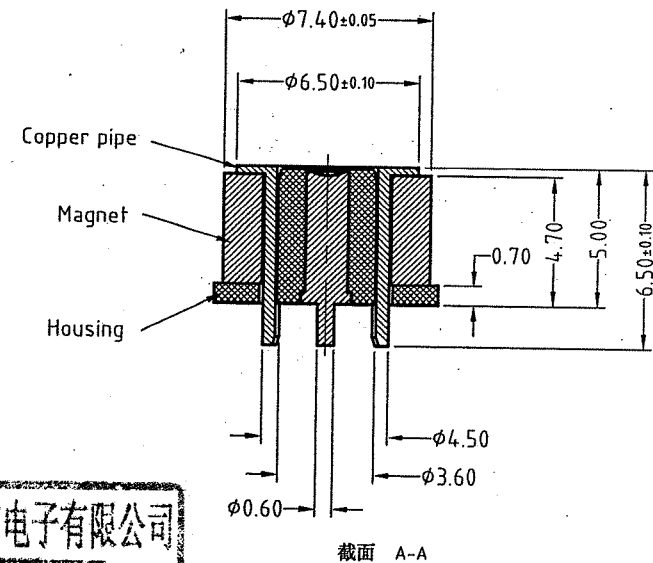
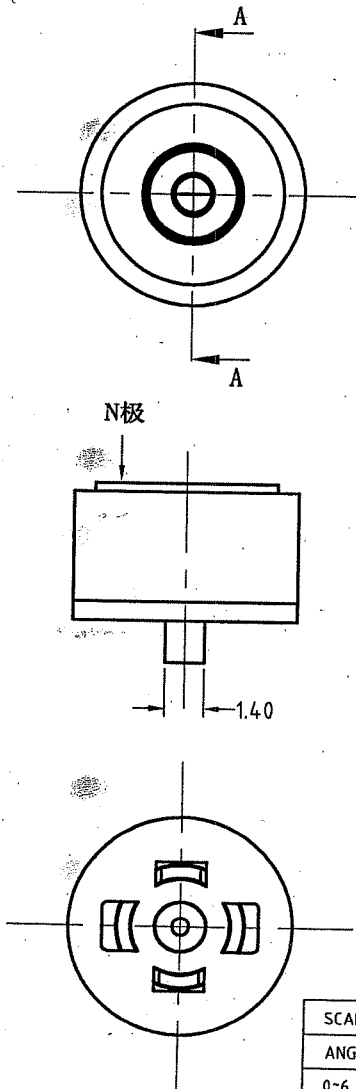
Approve Sign



BOM		
Part	NO.	Qty
Pogo pin	B606-W5010	1
Pipe	B606-W6100	1
Magnet	B606-M8100	1
Housing	B606-H1000	1



Recommended pcb layout layout tolerance: ±0.05mm



东莞市川富电子有限公司  
2018.06.27  
文件受控章

SCALE	10:1	UNIT:mm	THIS DOCUMENT IS THE SOLE PROPERTY OF CFE CORPORATION CO.,LTD., AND SHOULD NOT BE USED IN WHOLE OR IN PART WITHOUT PRIOR WRITTEN PERMISSION.
ANGEL	±2°	A4	
0~6	±0.10		
6~30	±0.20	DRAW	
30~150	±0.30	CHECK	SHEET: 1 of 1
GENERAL TOLERANCE UNLESS OTHERWISE NOTED		APPRO	

**CFE**® 东莞市川富电子有限公司  
CFE CORPORATION CO.,LTD.

ECN(DCN) NO.	A0	2018.06.27	NEW	DESCRIPTION
REV	DATE			

PART NO.	M-BP60633-01000H0N
FILE NAME	BP606XX
TITLE	Magnetic connector/磁吸连接器